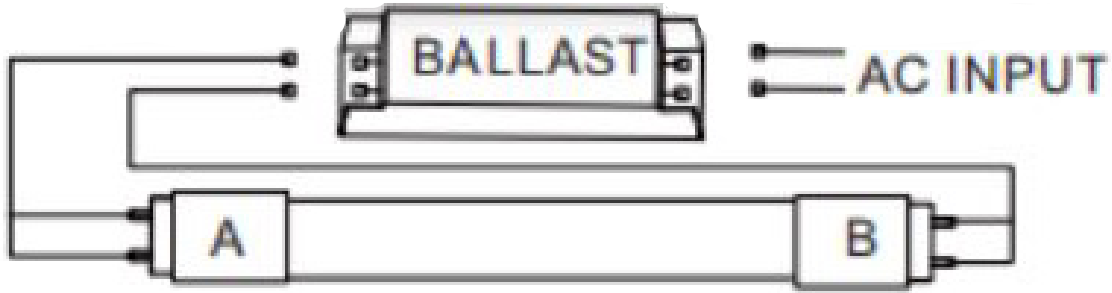
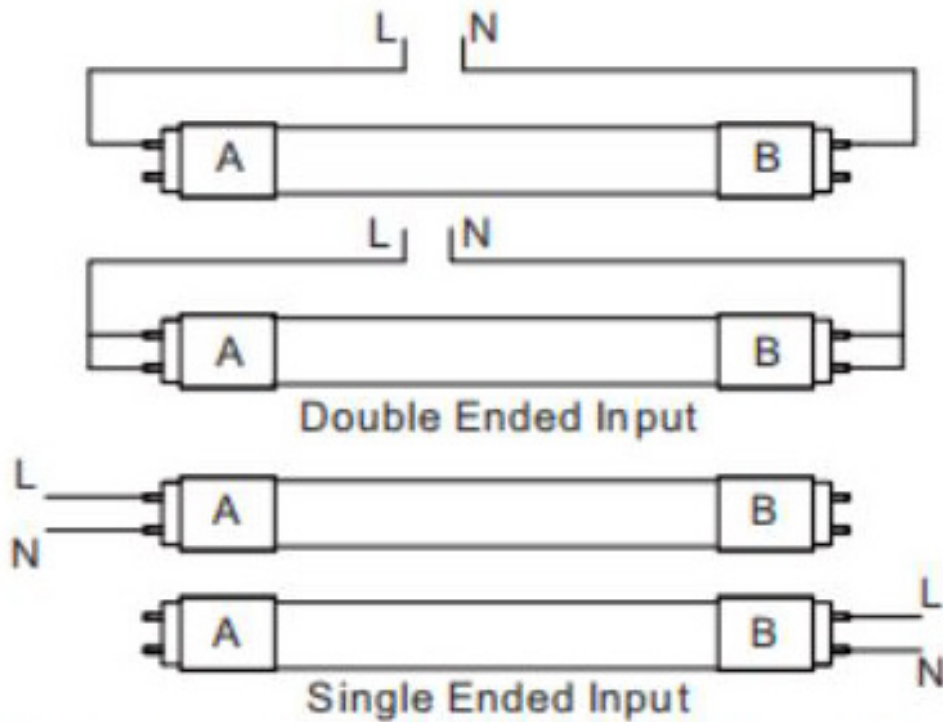




BALLAST COMPATIBLE WIRING DIAGRAM



DIRECT WIRE ONLY WIRING DIAGRAM



Input voltage: 120-277Vac 50/60Hz

