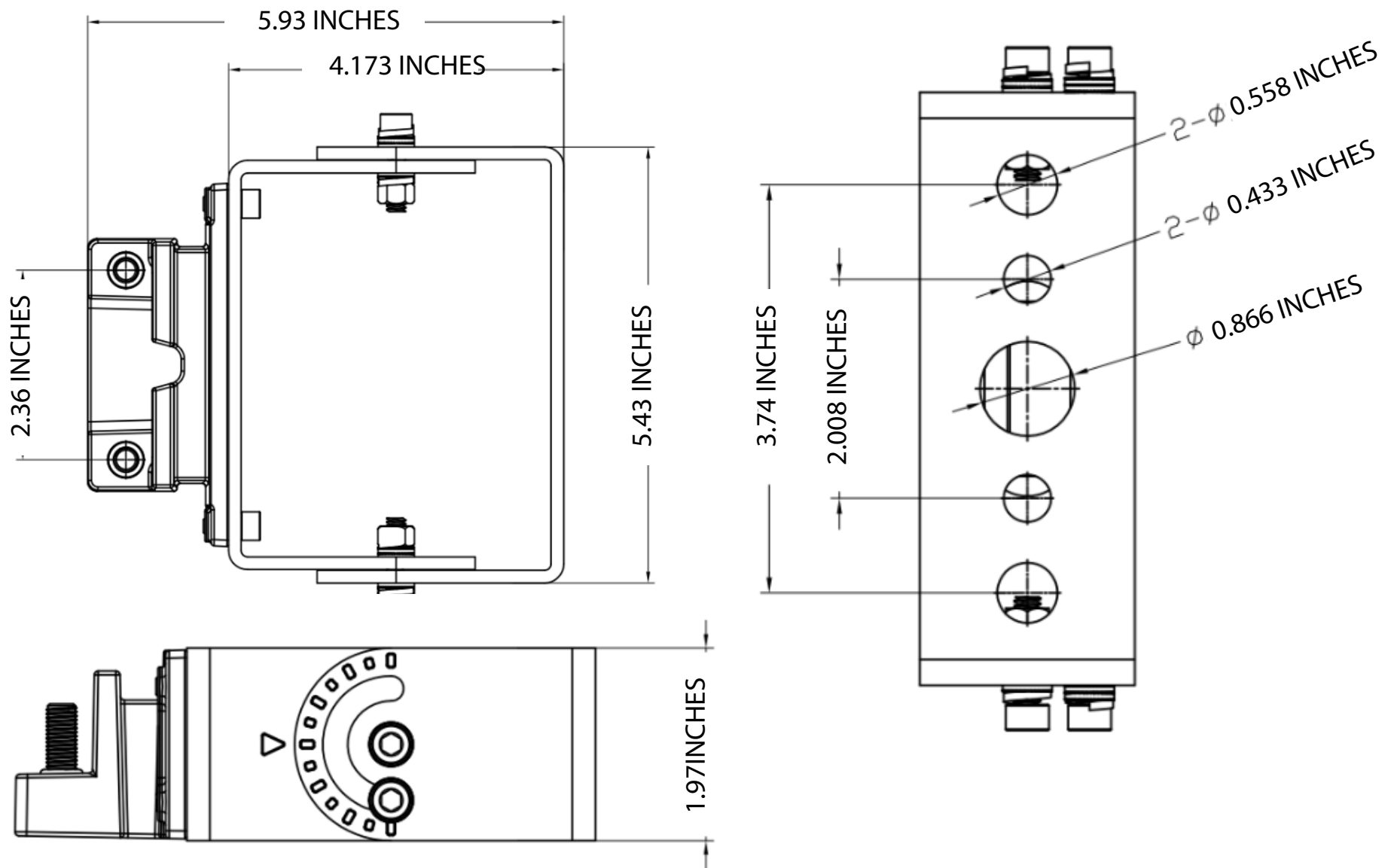
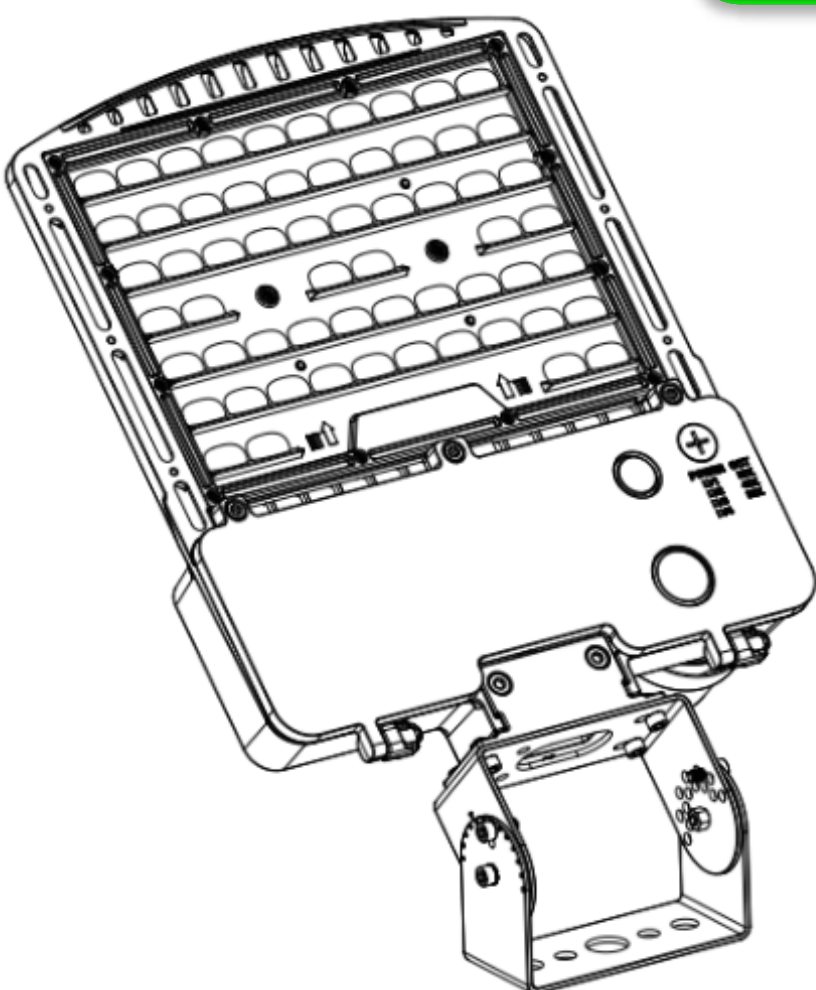




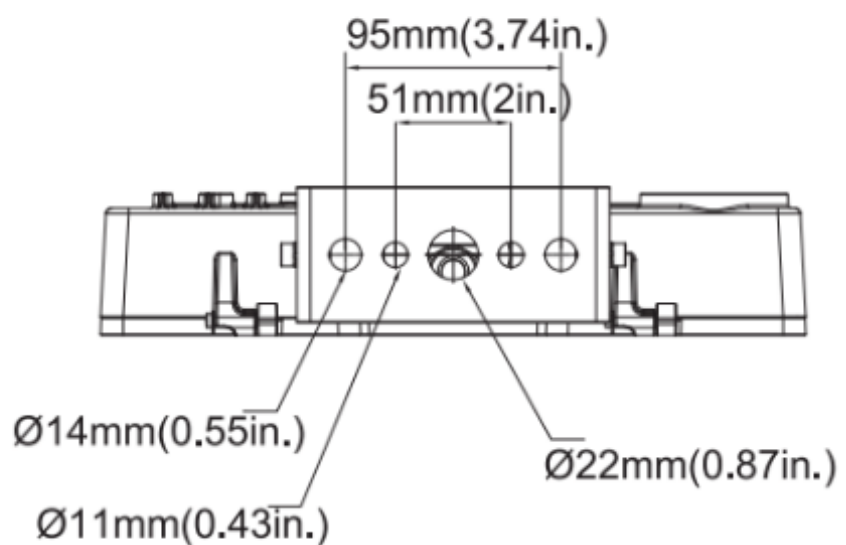
Dimensional Diagram



Installation Diagram



1. Mount onto surface using the hole pattern on the bracket
2. Loosen center bolts and screws
3. Rotate fixture to desired position & tighten center bolts
4. Wire the fixture and then secure the screws back into place



Not all product variations listed on this page may be DLC qualified. Visit [www.designlights.org/search](http://www.designlights.org/search) to confirm qualification.

