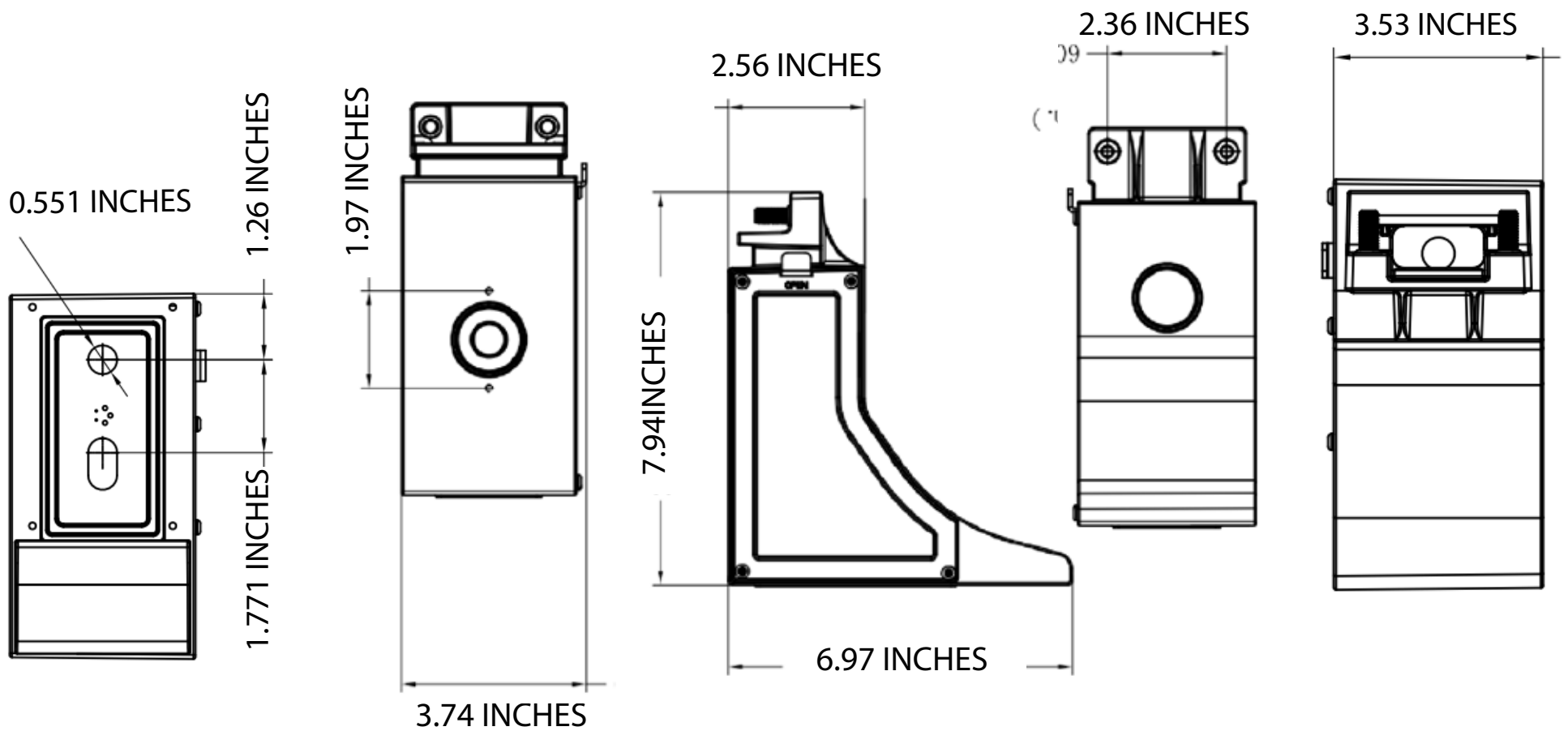
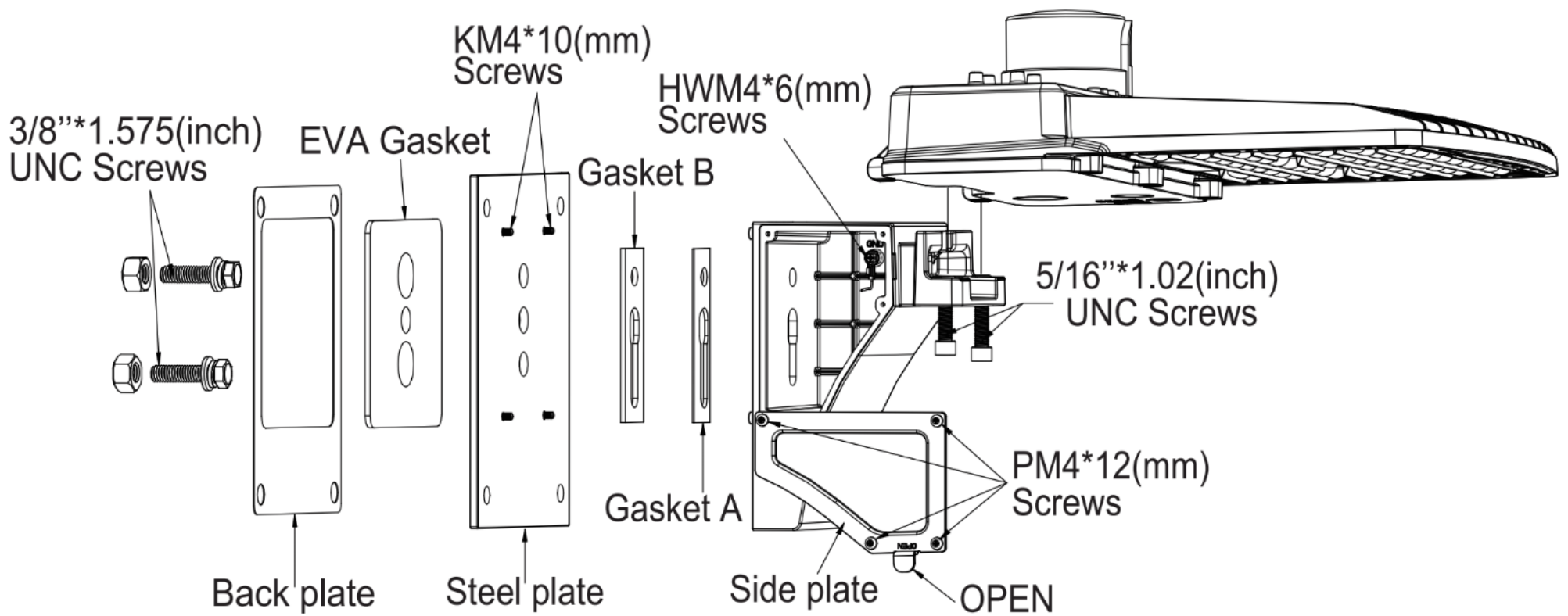




Dimensional Diagram



Installation Diagram



1. Remove the side plate by loosening the screws
2. Secure the steel plate onto the mounting bracket with the KM4*10 screws provided
3. Secure the backplate and bracket onto the wall
4. Route the power cord into the wall mount bracket, slide the fixture onto the bracket and tighten the bottom 2 screws
5. Connect the wires inside of the bracket and secure the side plate back on

