



select your pole

Part Number	Height	Diameter	Gauge	Anchor Bolts	Finish
GI-POL2-AB-4SQ-20FT-FAB-11G	20ft	4in	11G	17in	dark bronze
GI-POL2-AB-4SQ-25FT-FAB-11G	25ft	4in	11G	30in	dark bronze
GI-POL2-AB-5SQ-30FT-FAB-7G	30ft	5in	7G	36in	dark bronze

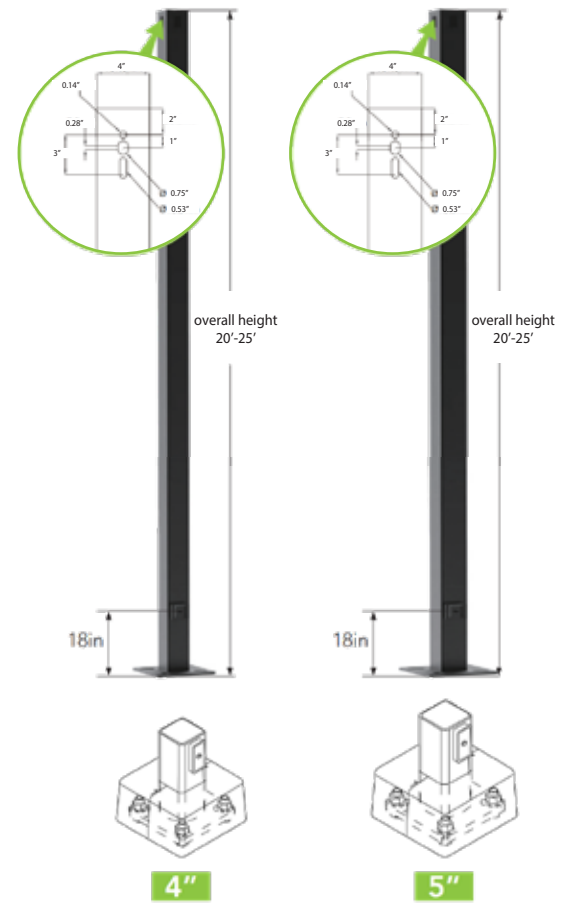
add your accessories*

Accessories Part Number	Description
GI-ACC-POLBC	Base cover
GI-ACC-4SQTA	4" Square pole mount adapter with 2 3/8" tenon
GI-ACC-5SQTA	5" Square pole mount adapter with 2 3/8" tenon

*optional accessories

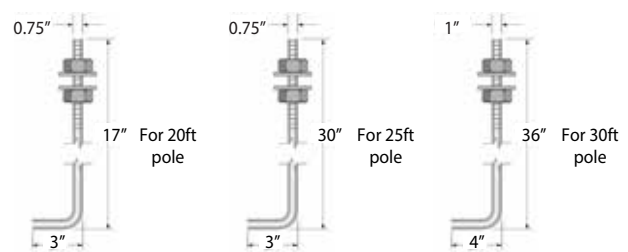
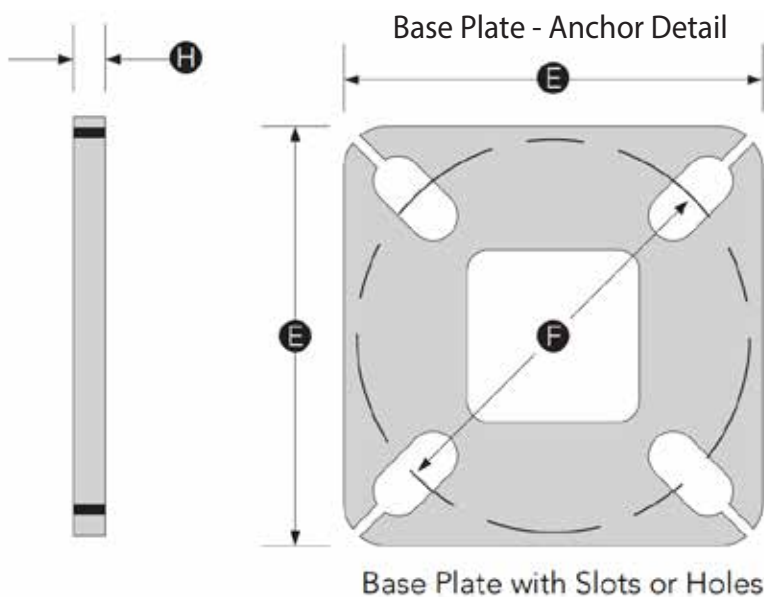
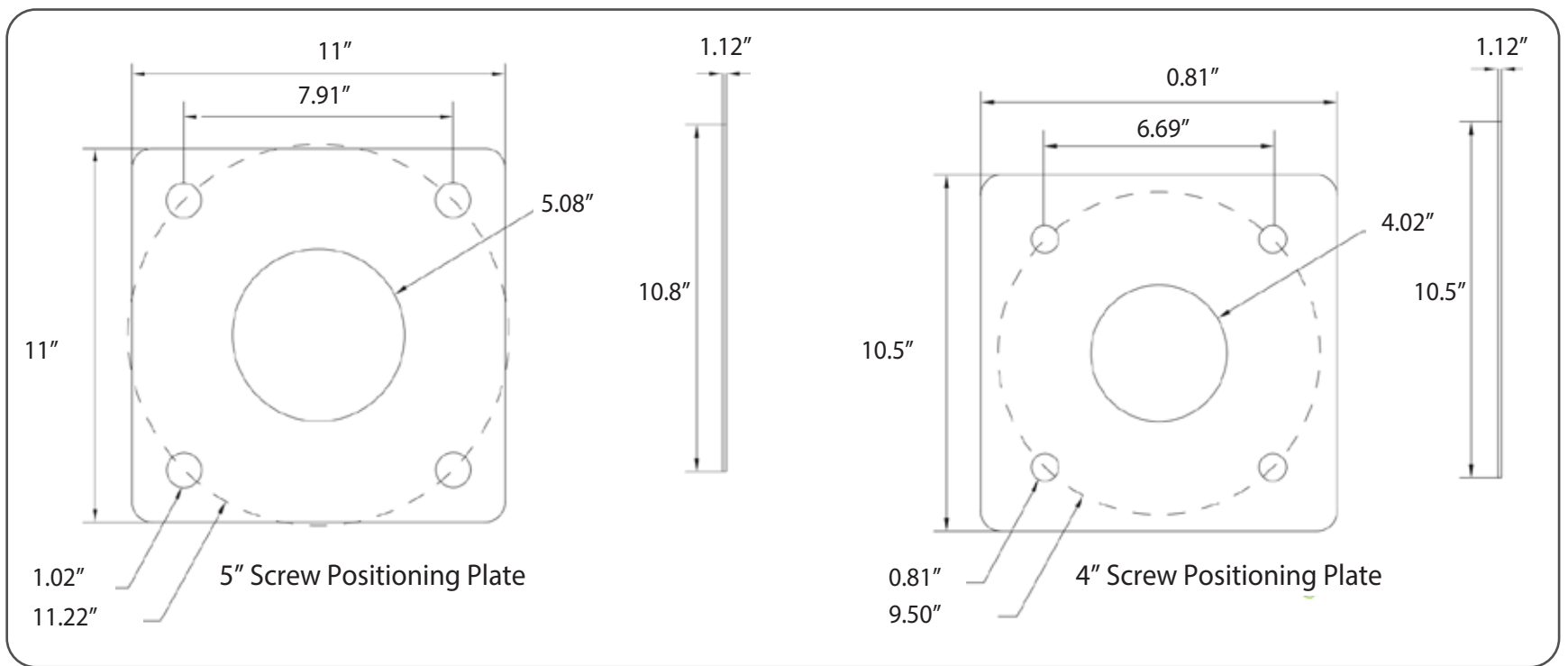
Features & Details

- Comes included with a removable pole cap. Beneath the pole cap is a 2 3/8" drilled hole to accommodate a tenon if needed.
- Pole shaft is made up of hot rolled, commercial quality welded steel, with a minimum yield strength of 42,000 PSI.
- A reinforced handhole is located at the base of the pole.
- An optional base cover is available if needed, for additional mounting security.
- Each pole comes included with anchor bolts, nuts & washers.
- 6-Year limited warranty.



Maximum EPA with 1.3 Gust Factor

Height	Gauge	Weight	80MPH	Max Weight	90MPH	Max Weight	100MPH	Max Weight
20ft	11	138lbs	9.6	240	6.7	165	4.5	150
25ft	11	170lbs	4.8	150	2.6	100	1	50
30ft	7	380lbs	10.7	267	6.7	167	3.9	100



Base Plate Key Code

Anchor Base Size	Wall Thickness (H)	Base Plate Square (E)	Bolt Circle Range	Bolt Circle (F)	Bolt Projection
4"	0.75"	10.5"	8-11"	9.5"	3.75"
5"	1"	11"	10.6-12"	11.3"	4.88"

