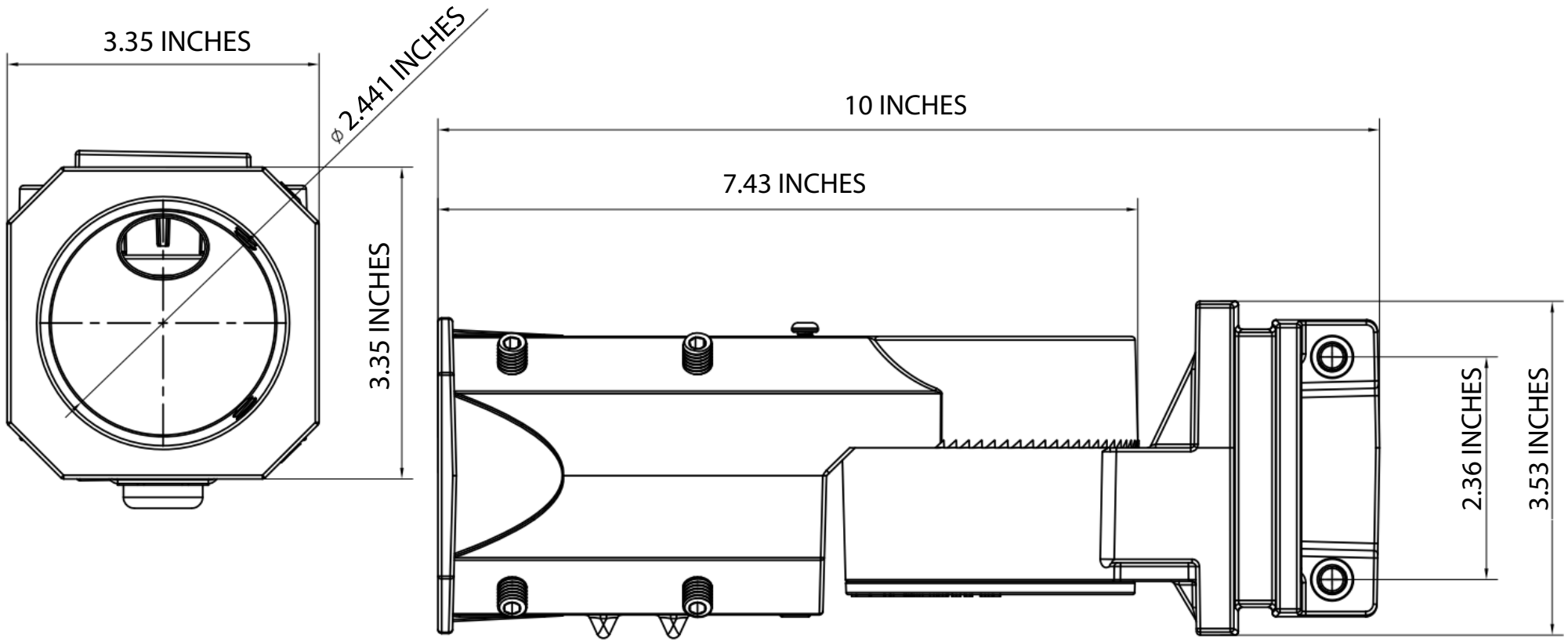
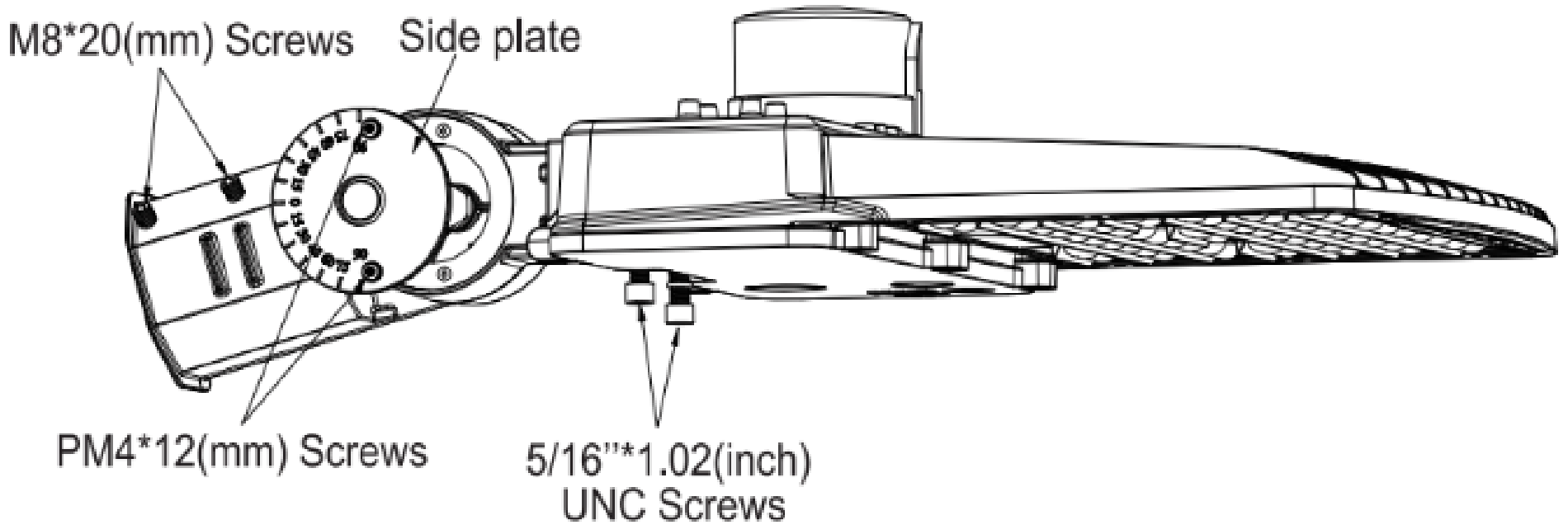




Dimensional Diagram



Installation Diagram



1. Connect the wires to L / N / GND
2. Remove the cover and adjust the bracket to the desired angle
3. Install the bracket onto the pole and secure with screws

Not all product variations listed on this page may be DLC qualified. Visit www.designlights.org/search to confirm qualification.

