







Specifications

CRI	Ambient Temp (F)	Voltage	Color Temp	Power Factor	Lens	Gasket	Hardware	Efficacy	Beam Angle	Warranty	Case Quantity
80	-40° - 140°	AC 100-277 V DC 12-48 V	5000K	>0.90	PC	silicone rubber	aluminum alloy	140 LM/W	120°	6 years	1 pcs

select your fixture

Part Number	Consumption	Lumen Output	Dimensions	Housing
GI-EPR-C175-C1D2	30W	4,200	29.5" x 7.9" x 4.7" (2ft)	stainless steel
GI-EPR-C175HO-C1D2	40W	5,600	29.5" x 7.9" x 4.7" (2ft)	stainless steel
GI-EPR-C250-C1D2	50W	6,500	53" x 7.9" x 4.7" (4ft)	stainless steel
GI-EPR-C250HO-C1D2	60W	7,800	53" x 7.9" x 4.7" (4ft)	stainless steel
GI-EPR2-C175-C1D2	30W	4,200	29.5" x 7.9" x 4.7" (2ft)	fiber reinforced plastics
GI-EPR2-C250-C1D2	50W	6,500	53" x 7.9" x 4.7" (4ft)	fiber reinforced plastics

- 1.) 
- 2.) 
- 3.) 
- 4.) 
- 5.) 
- 6.) 

Optional accessories

Accessories Part Number	Description
1.) GI-ACC-EPJB	Junction Box
2.) GI-ACC-EPED15	15W Emergency driver + controller
3.) GI-ACC-EPPS	photocell sensor


Optional mounts


Accessories Part Number	Description
4.) GI-ACC-EPFLF-PM	pole mount


Included accessories


Accessories Part Number	Description
5.) GI-ACC-EPRMW	steel rope mounting wire
6.) GI-ACC-EPCMK	ceiling mounting kit

Certifications

 Marking UL844(North American)  
Class I, Division 2, Groups A, B, C, D  
Class II, Division 1, Groups E, F, G  
Class II, Division 2, Groups F, G Class III

 Marking ATEX  
II 2 G Ex db eb mb IIC T5/T6 Gb  
II 2 D Ex tb IIIC T95°C/T85°C Db IP66

 Marking IECEx  
Ex db eb mb IIC T5/T6 Gb  
Ex tb IIIC T95°C/T85°C Db

 Marking Marine  
UL 1598  
UL 844  
ABS

Other Rating  
IP 66, IK10



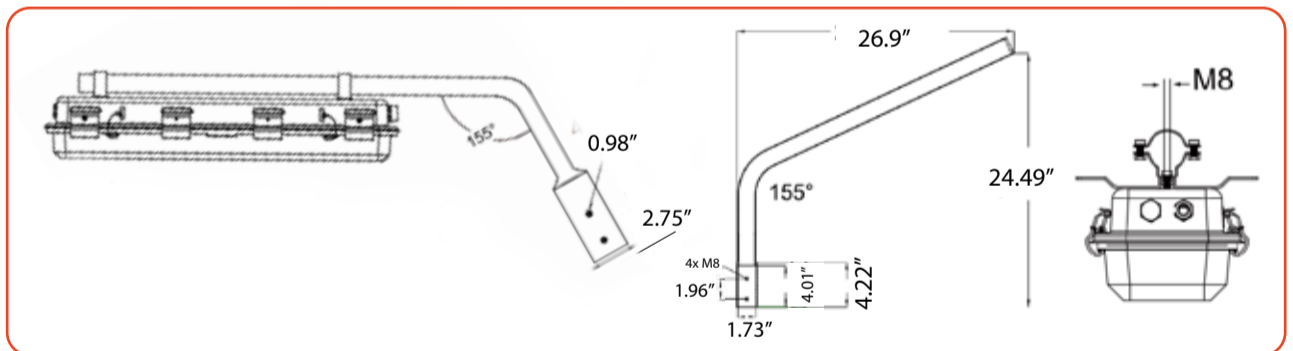
Type R2 safety Interlocking kit

Distributional Diagram

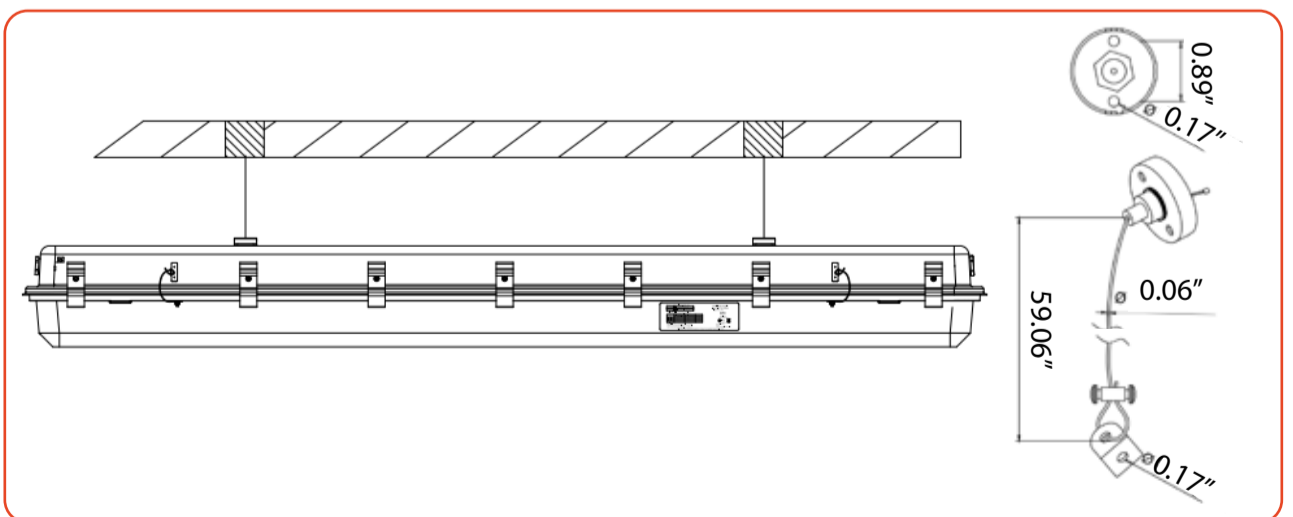
Center Beam fc	Beam Width
17ft	14fc 51ft <b>51ft</b>
34ft	3fc 103ft <b>101ft</b>
51ft	2fc 154ft <b>153ft</b>
68ft	0.8fc 256ft <b>255ft</b>
85ft	0.6fc 307ft <b>306ft</b>

■ Vert, Spread; 120°  
■ Horiz, Spread; 120°

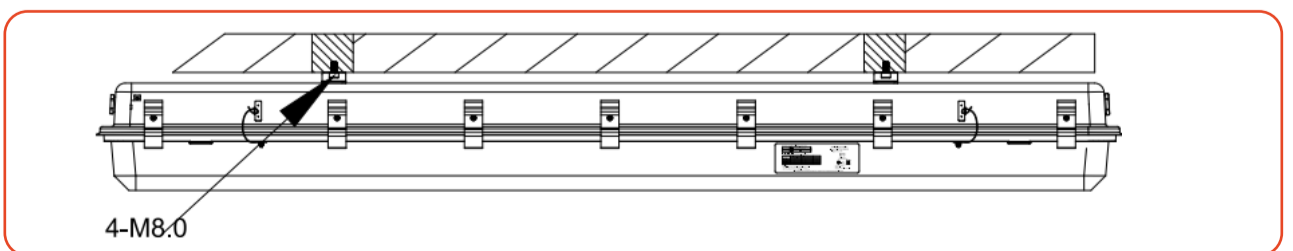
Pole Mounting:



Rope/Pendant Mounting:



Ceiling Mounting:



Features

- Rated for high temperatures, humidity, dust and vapor locations
- 2 Cable entry points on each side
- Heavy duty & high impact resistant
- 0-10V Dimmable
- Smooth housing allows for easy cleaning/maintenance
- IP66
- 10kVA Surge protection

Not all product variations listed on this page may be DLC qualified. Visit [www.designlights.org/search](http://www.designlights.org/search) to confirm qualification.

