

Specifications

CRI	Ambient Temp (F)	Voltage	Color Temp	Housing	Lens	Efficacy	Gross Weight	Dimensions	Beam Angle	Warranty	Case Quantity
80	-40°- 141°	100-277 V ⚡	5000K	copper free aluminum housing	tempered glass	140 LM/W	11.90 lbs	5.71" x 10.04"	120°	6 years	1 pcs

select your fixture

Part Number	Consumption	Lumen Output
GI-EPO-C100-C1D2 (ceiling mounted)	20W	2,800
GI-EPO-C100-C1D2WM (wall mounted)	20W	2,800
GI-EPO-C150-C1D2 (ceiling mounted)	30W	4,200
GI-EPO-C175-C1D2WM (wall mounted)	40W	5,600

Certifications

ATEX Marking
II 2G Ex eb mb IIC T6/T5/T4 Gb
II 2D Ex tb IIIC T80°C/T95°C/T130°C Db IP66

IECEx Marking
Ex Eb mb IIC T6/T5/T4 Gb
Ex tb IIIC T80°C/T95°C/T130°C Db IP66

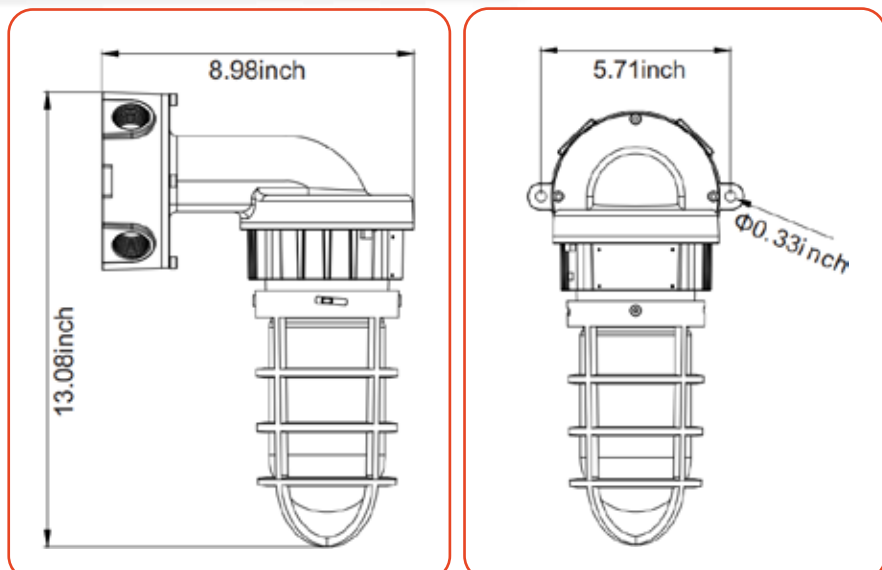
UL844 Marking (North American)
Class I, Division 2, Groups A, B, C, D
Class II, Division 1, Groups E, F, G
Class II, Division 2, Groups F, G
Class III

Marine Marking Other Rating
UL 1598A NEMA 3, 4X, IP66, IK08

Features

- ▶ Rated for high temperatures, humidity, dust & vapor locations
- ▶ Heavy duty & high impact resistant
- ▶ 0-10V Dimmable
- ▶ Tempered glass for high heat resistance
- ▶ 10kVA Surge protection

Dimensional Diagram



Included accessories

Accessories Part Number	Description
1.) GI-ACC-EPCM	Ceiling Mount (for ceiling mounted models)
2.) GI-ACC-EPWM	Wall Mount (for wall mounted models)
3.) GI-ACC-EPPG	Protective Guard
4.) GI-ACC-EPG	Globe
5.) GI-ACC-EPHS	Heat Sink

Optional mounts

Accessories Part Number	Description
6.) GI-ACC-EPPM*	Pendant Mount
7.) GI-ACC-EPWE	Wall Elbow
8.) GI-ACC-EPsMA	Surface Mounting Arm
9.) GI-ACC-EP25S	25° Pole Support
10.) GI-ACC-EP90WJB	90° Wall Support & Junction Box
11.) GI-ACC-EP25WS	25° Wall Support
12.) GI-ACC-EP90S	90° Pole Support
13.) GI-ACC-EPH	hook mount

Optional accessories

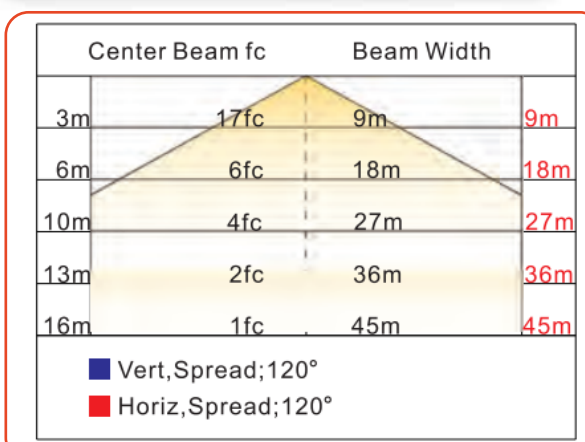
Accessories Part Number	Description
14.) GI-ACC-EPR	Reflector
15.) GI-ACC-EPEX	Extension
16.) GI-ACC-EPSSP*	Straight Swing Pipe
17.) GI-ACC-EPPB*	Bended Pipe
18.) GI-ACC-EPJB*	Junction Box
19.) GI-ACC-EPPS	photocell sensor
20.) GI-ACC-EPC	pendant chain
21.) GI-ACC-EPEDK15	15W Emergency back-up kit
22.) GI-ACC-EPED15C	Conduit for 15W Emergency back-up kit

*for ceiling mounted options only



(ceiling mounted)

Distributional Diagram



(wall mounted)