






Specifications

CRI	Ambient Temp (F)	Mounting Bracket	Mounting Sling	Hardware	Exit Sign	Gasket	Housing	Emergency Time	Voltage	IP Rating	Warranty	Case Quantity
80	-40° - 140°	stainless steel	stainless steel	stainless steel	tempered glass	stainless steel	copper-free aluminum	3 hours	100-277 V ⚡	IP66	6 years for fixture 3 years for battery	1 pcs

select your fixture

Part Number	Color	Consumption	Lumen Output	Dimensions
GI-EPJ-C30R-C1D1	red lettering	3W	300	4.57" x 16.42" x 16.47"
GI-EPJ-C30G-C1D1	green lettering	3W	300	4.57" x 16.42" x 16.47"
GI-EPJ-C50R-C1D1	red lettering	5W	500	4.57" x 16.42" x 16.47"
GI-EPJ-C50G-C1D1	green lettering	5W	500	4.57" x 16.42" x 16.47"

- 1.) 
- 2.) 
- 3.) 
- 4.) 
- 5.) 

Optional accessories

Accessories Part Number	Description
1.) GI-ACC-EPJB	Junction Box
2.) GI-ACC-EPSSP	Straight Swing Pipe
3.) GI-ACC-EPC	Pendant Chain
4.) GI-ACC-EPH	Hook Mount

optional\*

Included accessories

Accessories Part Number	Description
5.) GI-ACC-EPWMS	wall mounting screws

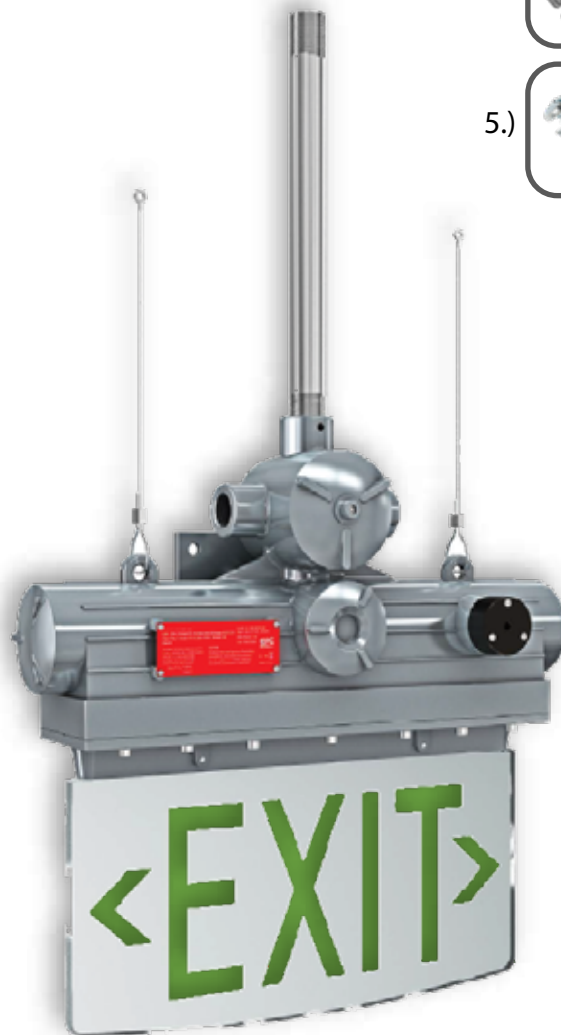
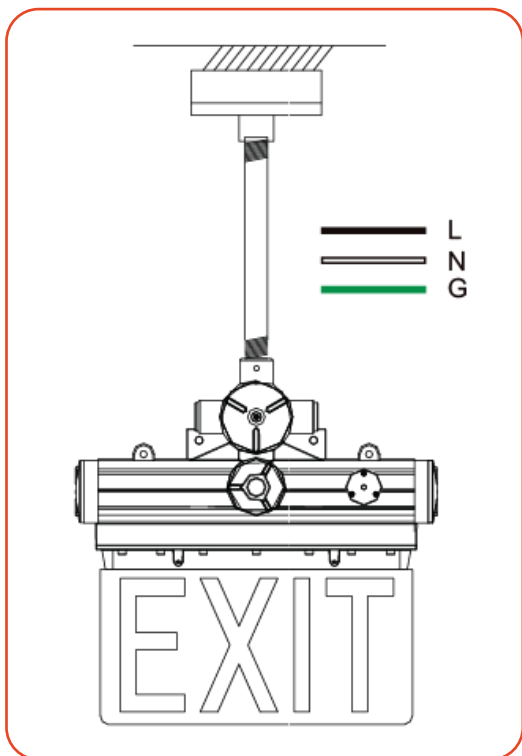
Certifications



Class I, Division 1, Groups B, C, D  
Class I, Division 2, Groups A, B, C, D  
Class II, Division 1, Groups E, F, G  
Class II, Division 2, Groups F, G  
Class III

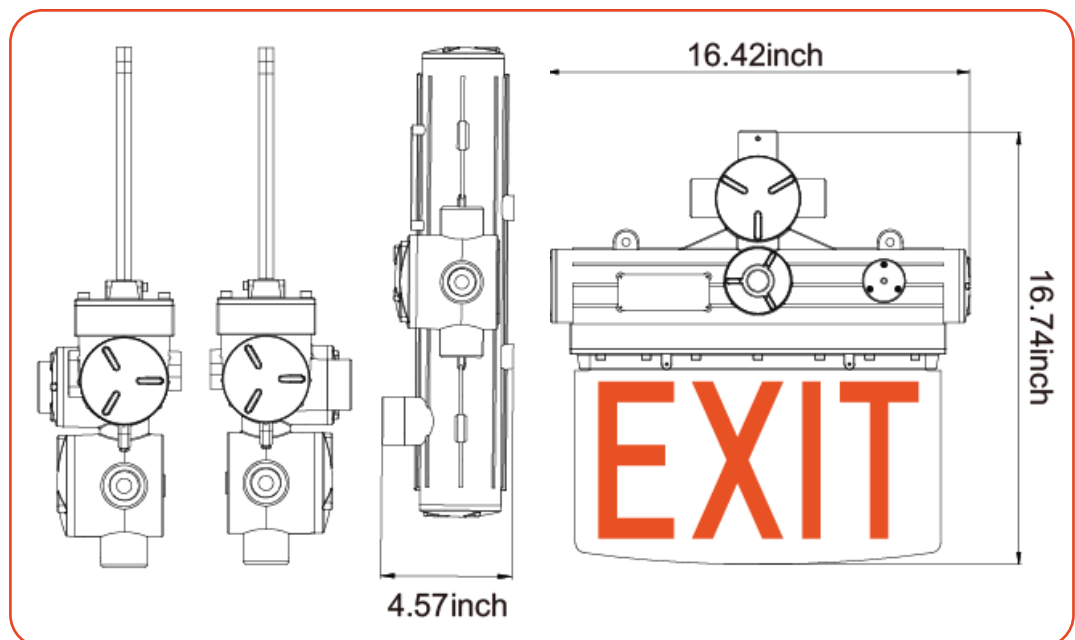
UL Marking  
UL924 | UL844 | IP66  
UL 121201/CSA NO.213  
CSA C22.2 No.137-18  
Temperature Class (T-Rating)-T6

Other Rating  
IP66, IK10



Features

- Rated for high temperatures, humidity, dust and vapor locations
- Built-in battery backup with 3-hour emergency operation
- 0-10V Dimmable
- Heavy duty & high impact resistant



Not all product variations listed on this page may be DLC qualified. Visit [www.designlights.org/search](http://www.designlights.org/search) to confirm qualification.

