

Specifications

CRI	Ambient Temp (F)	Mounting Bracket	Housing	Lens	Voltage	IP Rating	Efficacy	Gross Weight	Hardware	Beam Angle	Warranty	Case Quantity
80	-40° - 140°	stainless steel	copper-free aluminum	polycarbonate	AC 100-277 V DC 12-48 V	IP66	140 LM/W	19.84 lbs	stainless steel	120°	6 years	1 pcs

select your fixture

Part Number	Color Temp	Consumption	Lumen Output	Dimensions
GI-EPH-C175C-C1D2	5000K	40W	5,600	24" x 4.7" x 9.5"
GI-EPH-C175L-C1D2	5000K	40W	5,600	47" x 4.7" x 9.5"
GI-EPH-C250-C1D2	5000K	60W	8,400	47" x 4.7" x 9.5"
GI-EPH-C250HO-C1D2	5000K	80W	11,200	47" x 4.7" x 9.5"

Certifications

Marking UL844 (North American)
Class I, Division 2, Groups A, B, C, D
Class II, Division 1, Groups E, F, G
Class II, Division 2, Groups F, G
Class III

Marking ATEX
II3 G Ex ec IIC T5/T6 Gc
II2 D Ex tb IIIC T80/100°C Db IP66

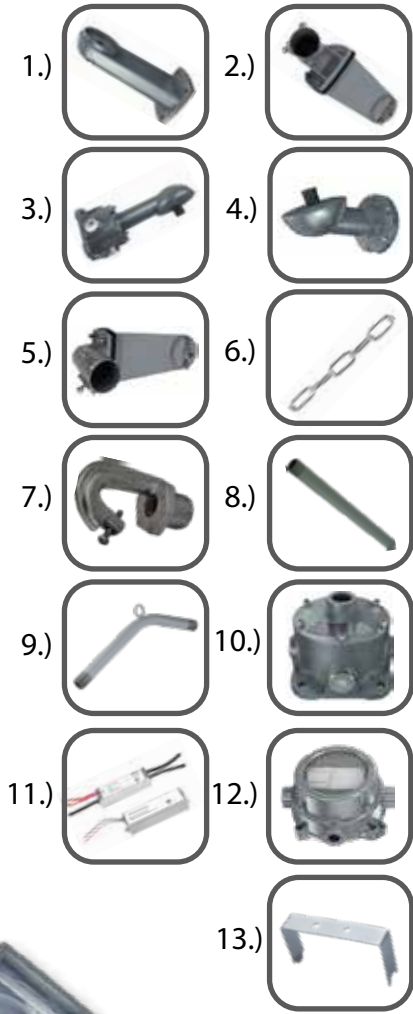
Marking IECEx
Ex ec IIC T5/T6 Gc
Ex tb IIIC T80/100°C Db IP66

Marking Marine
UL1598, UL1598A
ABS

Other Rating
IP 66, IK10

Features

- ▶ Rated for high temperatures, humidity, dust and vapor locations
- ▶ Light weight design
- ▶ Heavy duty & high impact resistant
- ▶ 0-10V Dimmable
- ▶ Smooth housing allows for easy cleaning/maintenance
- ▶ 10kVA Surge protection



Optional mounts

Accessories Part Number	Description
1.) GI-ACC-EPSMA	Surface Mounting Arm
2.) GI-ACC-EP25S	25° Pole Support
3.) GI-ACC-EP90WJB	90° Wall Support & Junction Box
4.) GI-ACC-EP25WS	25° Wall Support
5.) GI-ACC-EP90S	90° Pole Support

Optional accessories

Accessories Part Number	Description
6.) GI-ACC-EPC	Pendant Chain
7.) GI-ACC-EPH	Hook Mount
8.) GI-ACC-EPSSP	Straight Swing Pipe
9.) GI-ACC-EPPB	Bended Pipe
10.) GI-ACC-EPJB	Junction Box
11.) GI-ACC-EPED15	15W Emergency driver + controller
12.) GI-ACC-EPPS	photocell sensor

Included accessories

Accessories Part Number	Description
13.) GI-ACC-EPUB	U-bracket / Trunnion

Distributional Diagram

Center Beam fc	Beam Width
4ft	683fc
8ft	170fc
12ft	73fc
16ft	39fc
20ft	26fc

Beam Width	Beam Width
11ft	11ft
22ft	22ft
33ft	33ft
45ft	45ft
56ft	56ft

■ Vert, Spread; 120°
■ Horiz, Spread; 120°

Not all product variations listed on this page may be DLC qualified. Visit www.designlights.org/search to confirm qualification.