

specifications

Finish	CRI	Lens	Material	L70 hours	SP	Ambient Temp (F)	Dimmable	Power Factor	UL listing	THD	Dimensions
>70		polycarbonate	die-cast aluminum	50,000	10 KV optional	-40° - 131°	1 - 10V	> 0.9	wet location IP 66	<20%	14.2" x 9.25" x 7.73"

select your lamp

Part Number	Color Temp	Finish	Voltage	Consumption	Lumen Output	Efficacy
GI-WPF-CCT400-UL4		bronze coat	100 - 277 V ⚡	100W	12,468	124.68 LM / W
				78W <small>selectable</small>	10,160	130.26 LM / W
				61W	8,581	140.67 LM / W
				40W	6,089	152.22 LM / W

select your accessory*

Part Number	Description
GI-ACC-BPC	button photocell

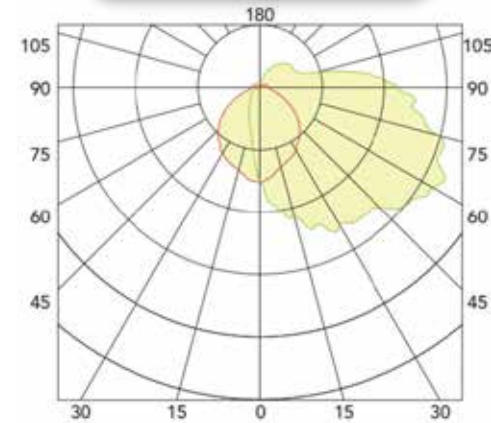
other

Warranty	Weight	Case QTY
6 years	8 lbs	1 pc

*optional

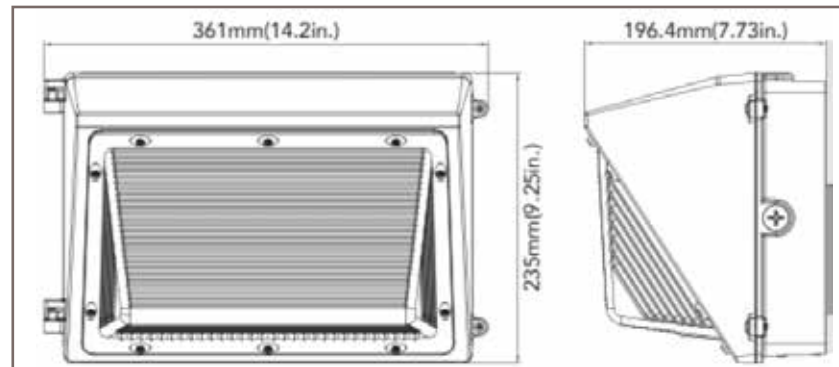


Photometrics



Features

- ▶ Durable, die-cast aluminum housing.
- ▶ Color temperature and wattage selectable
- ▶ Housing is completely sealed against moisture and environmental contaminants.
- ▶ Polycarbonate optical lens with UV stabilizers.



Not all product variations listed on this page may be DLC qualified. Visit www.designlights.org/search to confirm qualification.

