



Que-2-TXT™
Questions?
scan to text us fast



WALL PACK LED FIXTURE

TRADITIONAL



specifications

CRI	Lens	Material	L70 hours	Dimmable	SP	Ambient Temp (F)	Power Factor	UL listing	THD	Dimensions
>70	polycarbonate	die-cast aluminum	50,000	1 - 10V	10 KV optional	-40° - 131°	> 0.9	wet location IP 66	<20%	11.95" x 7.68" x 7.08"

select your lamp

Part Number	Color Temp	Finish	Voltage	Consumption	Lumen Output	Efficacy
GI-WPF-CCT250-UL4		bronze coat	100 - 277 V ⚡	62W	7,814	126.03 LM / W
				52W <small>selectable</small>	6,640	127.69 LM / W
				39W	5,255	134.74 LM / W
				26W	3,675	141.34 LM / W

select your accessory*

Part Number	Description
GI-ACC-BPC	button photocell

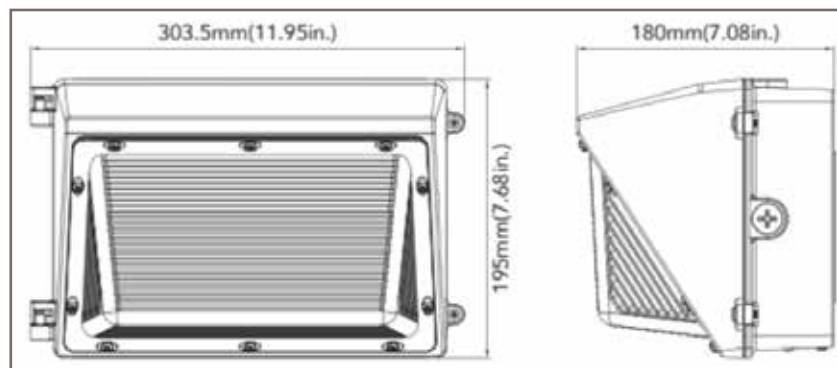
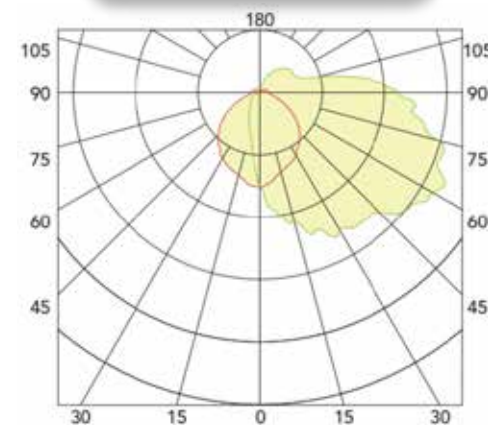
other

Warranty	Weight	Case QTY
6 years	6.525 lbs	1 pc

*optional



Photometrics



Features

- ▶ Durable, die-cast aluminum housing.
- ▶ Color temperature and wattage selectable
- ▶ Housing is completely sealed against moisture and environmental contaminants.
- ▶ Polycarbonate optical lens with UV stabilizers.

Not all product variations listed on this page may be DLC qualified. Visit www.designlights.org/search to confirm qualification.



/greenignite
@greenignite



www.greenignite.com



info@greenignite.com



1-877-560-3779