



specifications

CRI	Lens	Material	L70 hours	SP	Ambient Temp (F)	Power Factor	UL listing	THD	Dimensions
>70	polycarbonate	die-cast aluminum	50,000	10 KV optional	-40° - 131°	> 0.9	wet location IP 66	<20%	11.95" x 7.68" x 7.08"

select your lamp

Part Number	Color Temp	Finish	Voltage	Consumption	Lumen Output	Efficacy
GI-WPF-C175-UL4	5000K	bronze coat	100 - 277 V ⚡	40W	4,650	116.25 LM / W
GI-WPF-CCT175-UL4	3000K 4000K 5000K <small>selectable</small>	bronze coat	100 - 277 V ⚡	45W	5,495	122.11 LM / W
				33W <small>selectable</small>	4,341	131.55 LM / W
				26W	3,527	135.65 LM / W
				17W	2,514	147.88 LM / W

select your accessory*

Part Number	Description
GI-ACC-BPC	button photocell

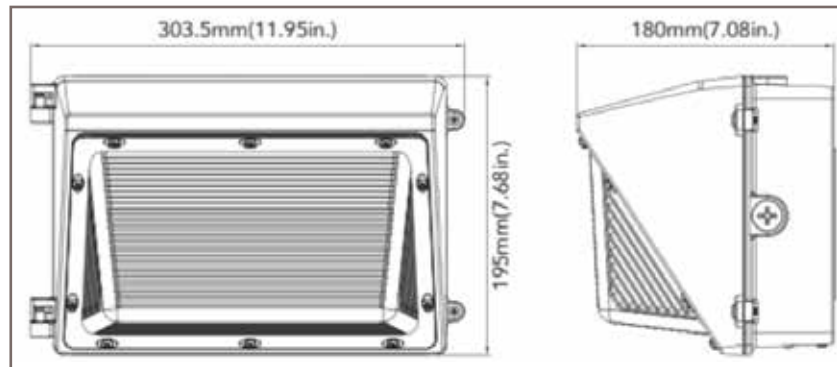
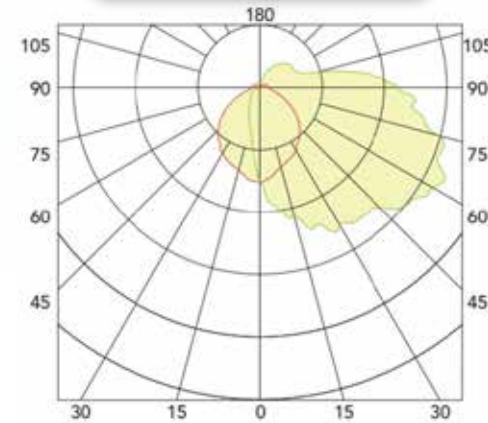
other

Warranty	Weight	Case QTY
6 years	6.525 lbs	1 pc

*optional



Photometrics



Features

- ▶ Durable, die-cast aluminum housing.
- ▶ Color temperature and wattage selectable
- ▶ Housing is completely sealed against moisture and environmental contaminants.
- ▶ Polycarbonate optical lens with UV stabilizers.

Not all product variations listed on this page may be DLC qualified. Visit www.designlights.org/search to confirm qualification.

