



Que-2-TXT™
Questions?
scan to text us fast



WALL PACK LED FIXTURE

TRADITIONAL



specifications

CRI	Lens	Material	L70 hours	SP	Ambient Temp (F)	Power Factor	UL listing	THD	Dimensions
>70	polycarbonate	die-cast aluminum	50,000	10 KV optional	-40° - 131°	> 0.9	wet location IP 66	<20%	14.2" x 9.25" x 7.08"

select your lamp

Part Number	Color Temp	Finish	Voltage	Consumption	Lumen Output	Efficacy
GI-WPF-C400-480UL4	5000K	bronze coat	348 - 480 V ⚡	90W	10,500	117 LM / W

select your accessory*

Part Number	Description
GI-ACC-BPC	button photocell

other

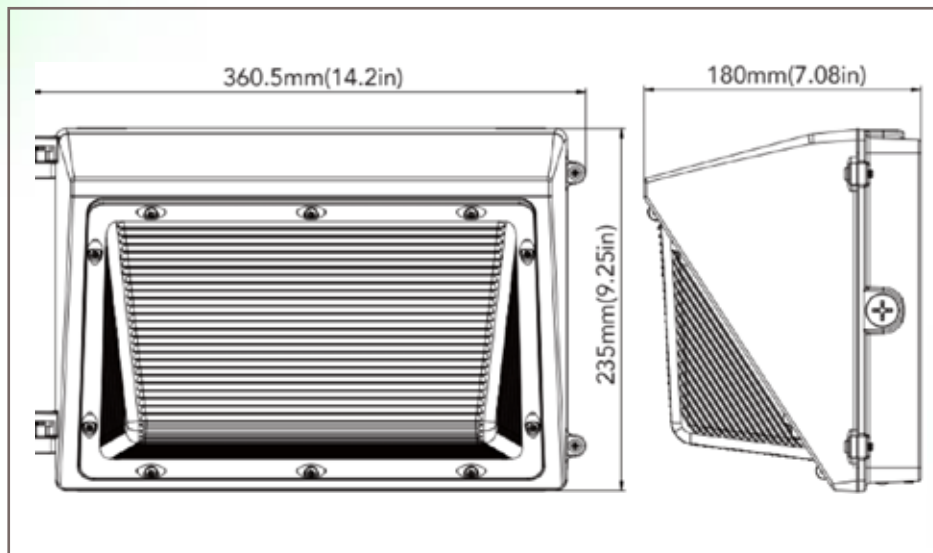
Warranty	Weight	Case QTY
6 years	7.31 lbs	1 pc

*optional

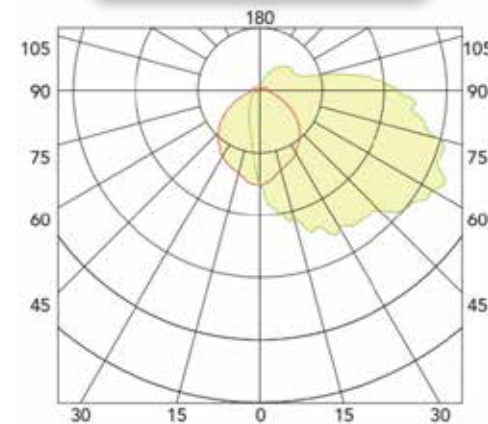


Features

- Durable, die-cast aluminum housing.
- Housing is completely sealed against moisture and environmental contaminants.
- Polycarbonate optical lens with UV stabilizers.



Photometrics



Not all product variations listed on this page may be DLC qualified. Visit www.designlights.org/search to confirm qualification.



/greenignite
@greenignite



www.greenignite.com



info@greenignite.com



1-877-560-3779