



specifications

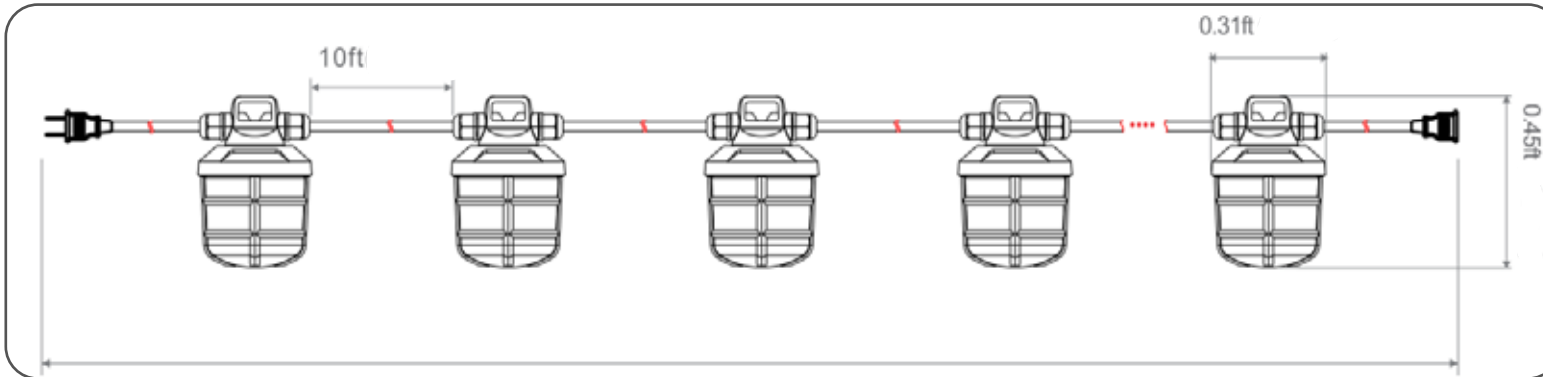
Lens	CRI	Guard Material	L70 hours	Ambient Temp (F)	Power Factor	IP Rating	THD	Beam Angle	Dimensions
frosted polycarbonate	> 80	rubber	50,000	5° - 113°	> 0.9	IP65	< 20%	360°	3.7" x 5.31"

select your lamp

Part Number	Color Temp	Voltage	Consumption	Lumen Output	Efficacy
GI-LWL-C500F-UL5	5000K	120 VAC ⚡	50W	6,000	120LM / W

other

Warranty	Weight	Case QTY
2 years	5.07 lbs	1 set (5pcs)



**Features**

- ▶ High transmittance polycarbonate lens with excellent optics
- ▶ 50,000 hour LED lifespan based on IES LM-80 results and TM-21 calculations
- ▶ Can be daisy chained up to 10 sets (5pcs per set)
- ▶ Waterproof & dustproof
- ▶ Non-dimmable
- ▶ 2 Year warranty

