

specifications

CRI	Material	Consumption	L70 hours	Ambient Temp (F)	Power Factor	UL listing	THD	Dimensions
72	durable, die-cast aluminum housing	97W / 83W / 65W / 45W selectable	50,000	-40° - 122°	> 0.9	wet location IP 66	<20%	8.05 (H) x 11.17" (D)

select your lamp

Part Number	Color Temp	Voltage	Lumen Output	Efficacy
GI-HBUB-CCT400PS-UL5	4000K / 5000K selectable	100 - 277V ⚡	97W - 12,300 LM 83W - 11,000 LM 65W - 8,900 LM 45W - 6,480 LM	97W - 126 LM/W 83W - 132 LM/W 65W - 136 LM/W 45W - 144 LM/W

add your accessories\*

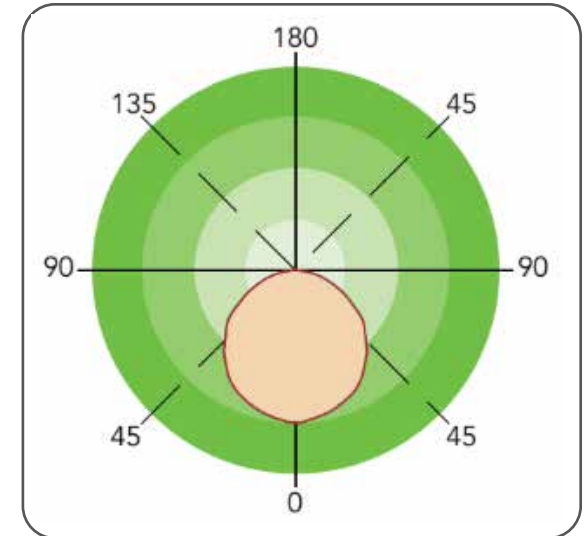
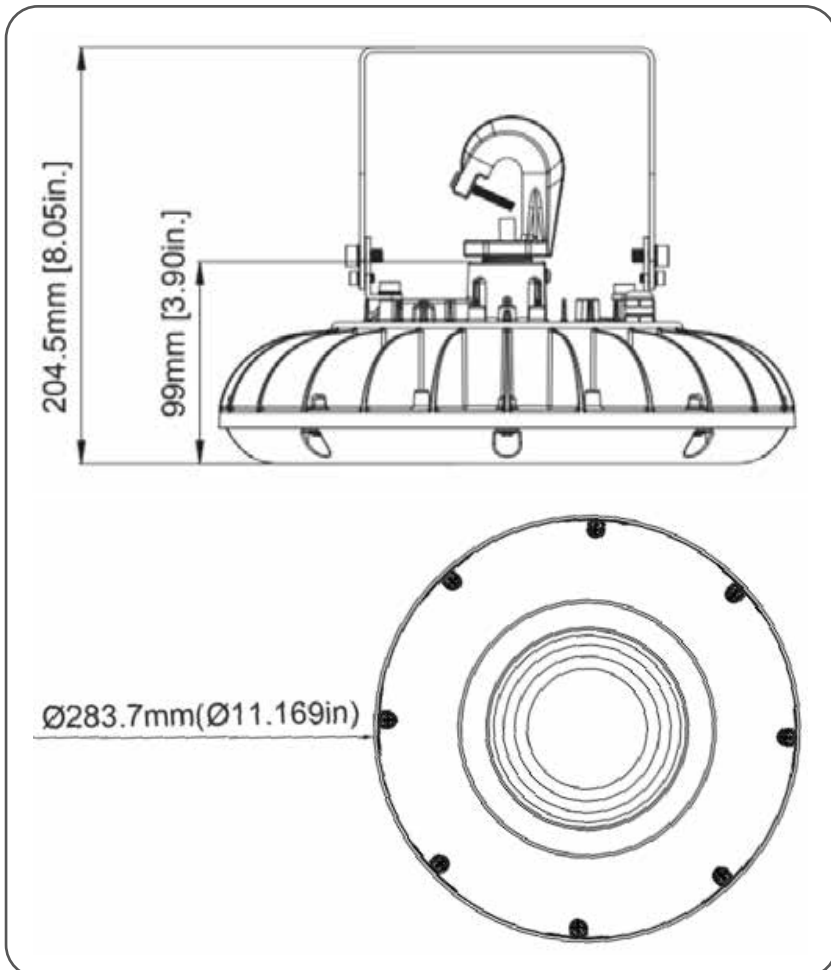
Accessories Part Number	Description
GI-ACC-OCC	occupancy sensor
GI-ACC-UFOB	emergency back up kit

other

Warranty	Weight	Case QTY
6 years	5.95 lbs	1 pc



\*optional



Features

- Sealed die-casting profile for indoor and outdoor applications.
- 50,000 hour LED lifespan based on IES LM-80 results and TM-21 calculations
- Black finish
- 0 - 10V Dimmable
- Color temperature & Power selectable

Not all product variations listed on this page may be DLC qualified. Visit [www.designlights.org/search](http://www.designlights.org/search) to confirm qualification.

