

specifications

CRI	Material	Consumption	L70 hours	Ambient Temp (F)	Power Factor	UL listing	THD	Dimensions
72	durable, die-cast aluminum housing	215W / 165W / 127W / 84W selectable	50,000	-40° - 122°	> 0.9	wet location IP 66	<20%	7.1" (H) x 13.1" (D)

select your lamp

Part Number	Color Temp	Voltage	Lumen Output	Efficacy
GI-HBUB-CCT1000PS-UL5	4000K 5000K selectable	100 - 277V ⚡	215W - 30,000 LM	215W - 139 LM/W
			165W - 24,000 LM	165W - 145 LM/W
	127W - 19,500 LM	127W - 153 LM/W		
	84W - 13,500 LM	84W - 160 LM/W		

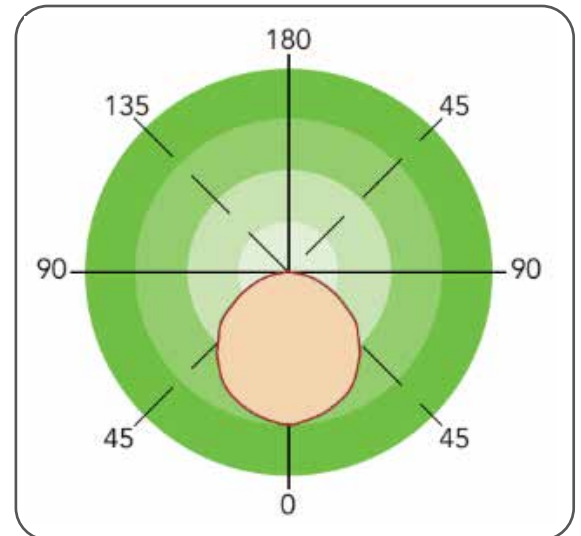
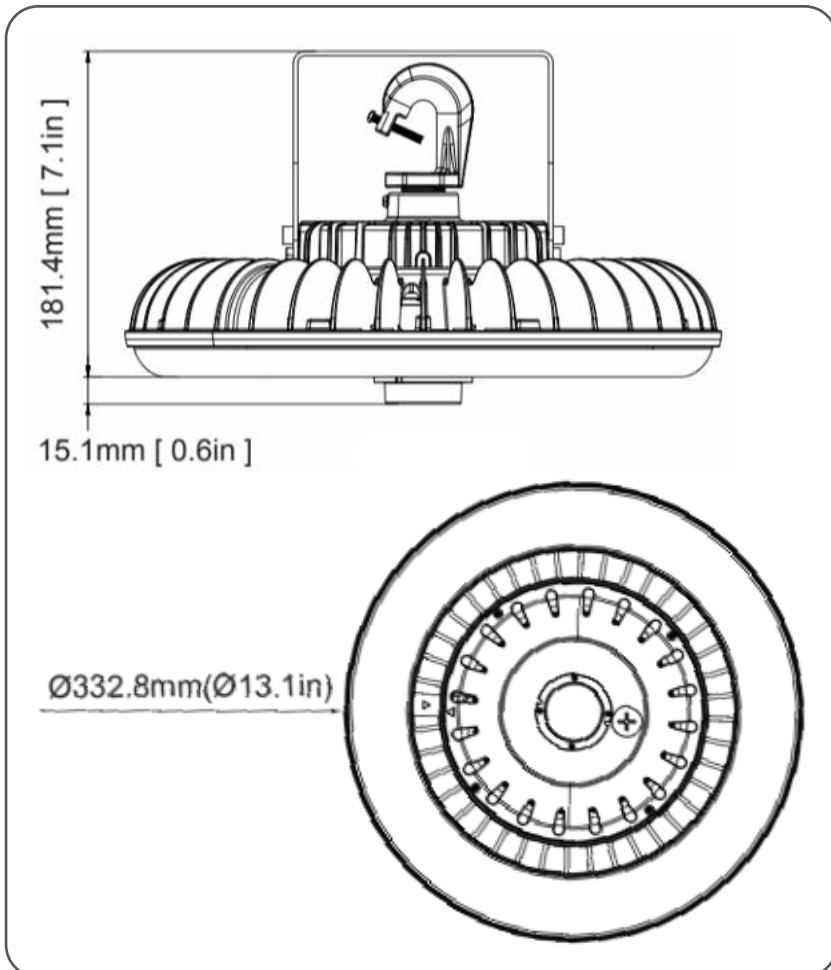
add your accessories\*

Accessories Part Number	Description
GI-ACC-PNPOCC	plug-n-play occupancy sensor

other

Warranty	Weight	Case QTY
6 years	6.61 lbs	1 pc

\*optional



- Features**
- Sealed die-casting profile for indoor and outdoor applications.
  - 50,000 hour LED lifespan based on IES LM-80 results and TM-21 calculations
  - Black finish
  - 0 - 10V Dimmable
  - Color temperature & Power selectable

Not all product variations listed on this page may be DLC qualified. Visit [www.designlights.org/search](http://www.designlights.org/search) to confirm qualification.

