

specifications

Consumption	CRI	Lens	Material	Voltage	Efficacy	L70 hours	Ambient Temp (F)	Power Factor	UL listing	THD
103W / 84W / 61W / 42W selectable	>70	polycarbonate	die-cast aluminum	100 - 277 V ⚡	150 LM / W	50,000	-40° - 104°	> 0.9	wet location IP 66	<20%

select your lamp

Part Number	Color Temp	Lumen Output
GI-FCW-CCT400PS-UL5 (bronze finish)		103W - 14,950 LM 84W - 12,725 LM 61W - 9,548 LM 42W - 6,667 LM

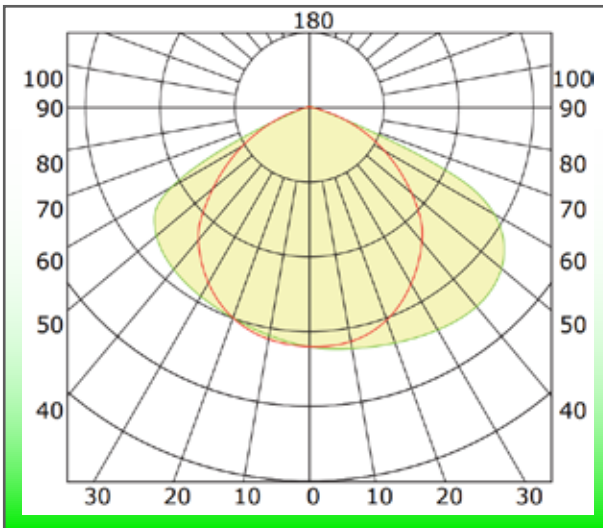
select your accessory\*

Part Number	Description
GI-ACC-BPC	button photocell

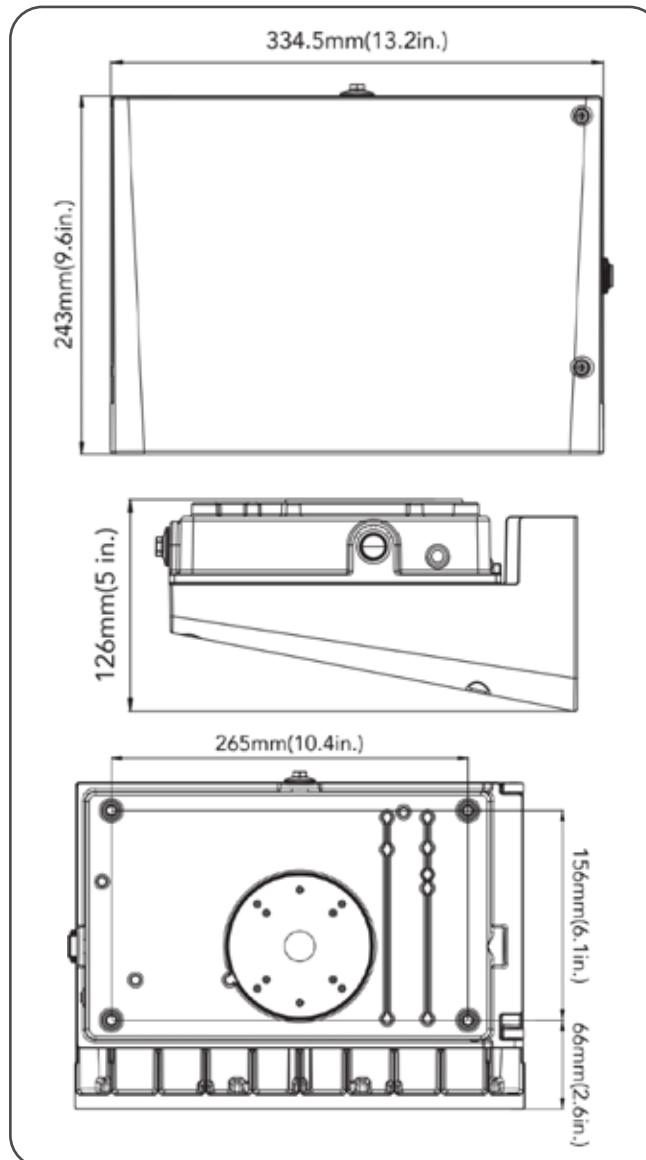
other

Warranty	Dimensions	Case QTY
6 years	13.2" (L) x 9.6" (H) x 5" (W)	6 pc

Luminous Intensity Distribution



\*optional



Features

- Durable, die-cast aluminum housing with excellent heat dissipation.
- Color temperature and power selectable
- 1-10V Dimmable, 3K/4K/5K Color Selectable
- Housing is completely sealed against moisture and environmental contaminants.
- Tempered UV coated flat lens provide outstanding performance, uniformity and glare control.

Not all product variations listed on this page may be DLC qualified. Visit [www.designlights.org/search](http://www.designlights.org/search) to confirm qualification.

