

specifications

Consumption	CRI	Lens	Material	Voltage	Efficacy	L70 hours	Ambient Temp (F)	Power Factor	UL listing	THD
65W / 49W / 34W / 23W selectable	>70	polycarbonate	die-cast aluminum	100 - 277 V ⚡	150 LM / W	50,000	-40° - 104°	> 0.9	wet location IP 66	<20%

select your lamp

Part Number	Color Temp	Lumen Output
GI-FCW-CCT250PS-UL5 (bronze finish)		65W - 9,750 LM 49W - 7,350 LM 34W - 5,100 LM 23W - 3,450 LM
GI-FCW-CCT250PS-WUL5 (white finish)		65W - 9,750 LM 49W - 7,350 LM 34W - 5,100 LM 23W - 3,450 LM

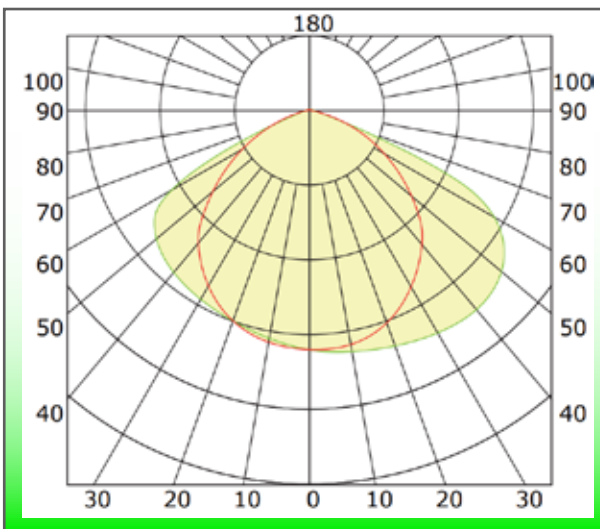
select your accessory*

Part Number	Description
GI-ACC-BPC	button photocell

other

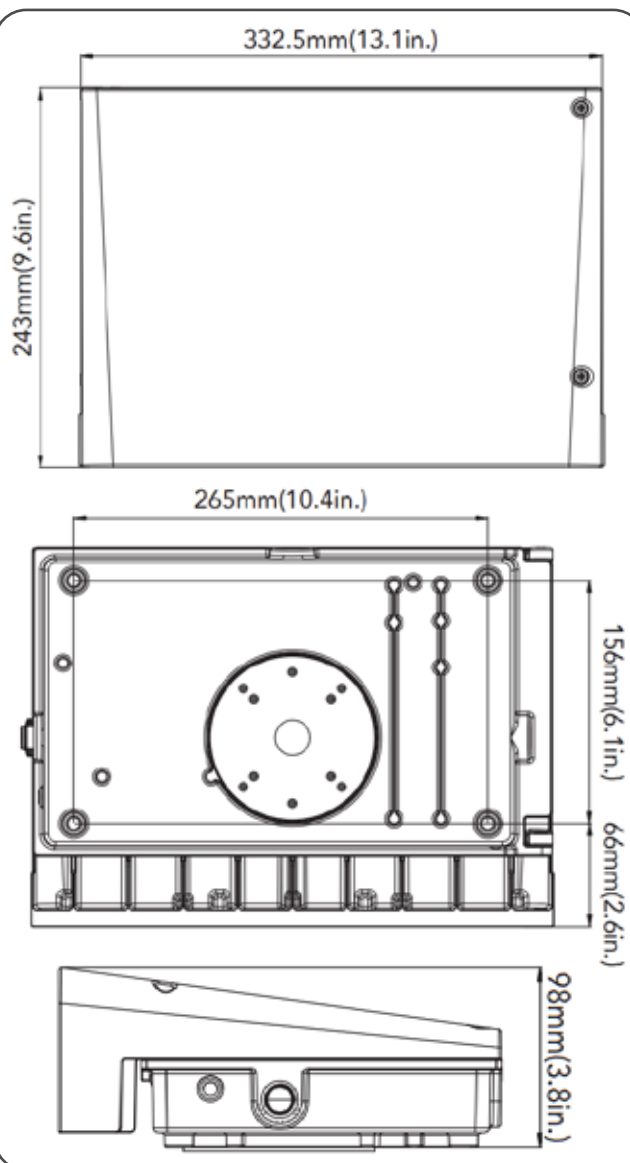
Warranty	Dimensions	Case QTY
6 years	13.1" (L) x 9.6" (H) x 3.8" (W)	6 pc

Luminous Intensity Distribution



Features

- Durable, die-cast aluminum housing with excellent heat dissipation.
- Color temperature and power selectable
- 1-10V Dimmable, 3K/4K/5K Color Selectable
- Housing is completely sealed against moisture and environmental contaminants.
- Tempered UV coated flat lens provide outstanding performance, uniformity and glare control.



Not all product variations listed on this page may be DLC qualified. Visit www.designlights.org/search to confirm qualification.

