

Specifications

| CRI | Rated Voltage | Charging Voltage | Rated Capacity | Recharge Time | Charging Adapter | Lifespan | Lens | Light Duration | Ambient Temp (F) | Warranty | Case Quantity |
|-----|---------------|------------------|----------------|---------------|------------------------------------|------------------------|-----------------|---|------------------|----------|---------------|
| 80 | 11.1V | 12.65V | 2.6Ah | 24 hours | Input: 100-240VAC output: 12VDC | more than 25,000 hours | toughened glass | 7 Hours (flashlight mode) 3 Hours (spotlight mode) | 14° - 140° | 6 years | 1 pcs |

select your fixture

| Part Number | Color Temp | Consumption | Lumen Output | Efficacy | Dimensions | IP Rating | Beam Angle | Weight | Type |
|--------------------|------------|-------------|--------------|-----------|------------------------|-----------|------------|---------|----------------------|
| GI-EPMRL-C100T1-Z2 | 5000K | 10W | 1,000lm | 10 LM / W | 11.06" x 4.92" x 7.05" | IP65 | 120° | 3.97lbs | type 1 - short globe |
| GI-EPMRL-C100T2-Z2 | 5000K | 10W | 1,000lm | 10 LM / W | 11.06" x 4.92" x 7.05" | IP65 | 120° | 3.97lbs | type 2 - no globe |

Certifications

ATEX Standard:
II 3GD Ex ec ic IIC T4 Gc
Ex ic tc IIIC T135°C Dc

IECEx Standard:
Ex ec ic IIC T4 Gc
Ex ic tc IIIC T135°C Dc

Zone 2, 21, 22
IEC60598-1; IEC60598-2-8; IEC60079-0; I
EC60079-11; IEC60079-15;
IEC60079-18; IEC60079-31

IP65

Features

- ▶ Three modes: Spotlight, signal light or flashlight
- ▶ Light emission angle can be adjusted by rotating the lamp cap & handle
- ▶ Yellow warning light functions as an S.O.S alarm
- ▶ Rated for high temperatures, humidity, dust and vapor locations
- ▶ Compact & Lightweight
- ▶ Waterproof and anti-impact with high strength plastic housing, aluminum alloy base & a toughened glass lens
- ▶ Charger included
- ▶ 10kVA Surge protection

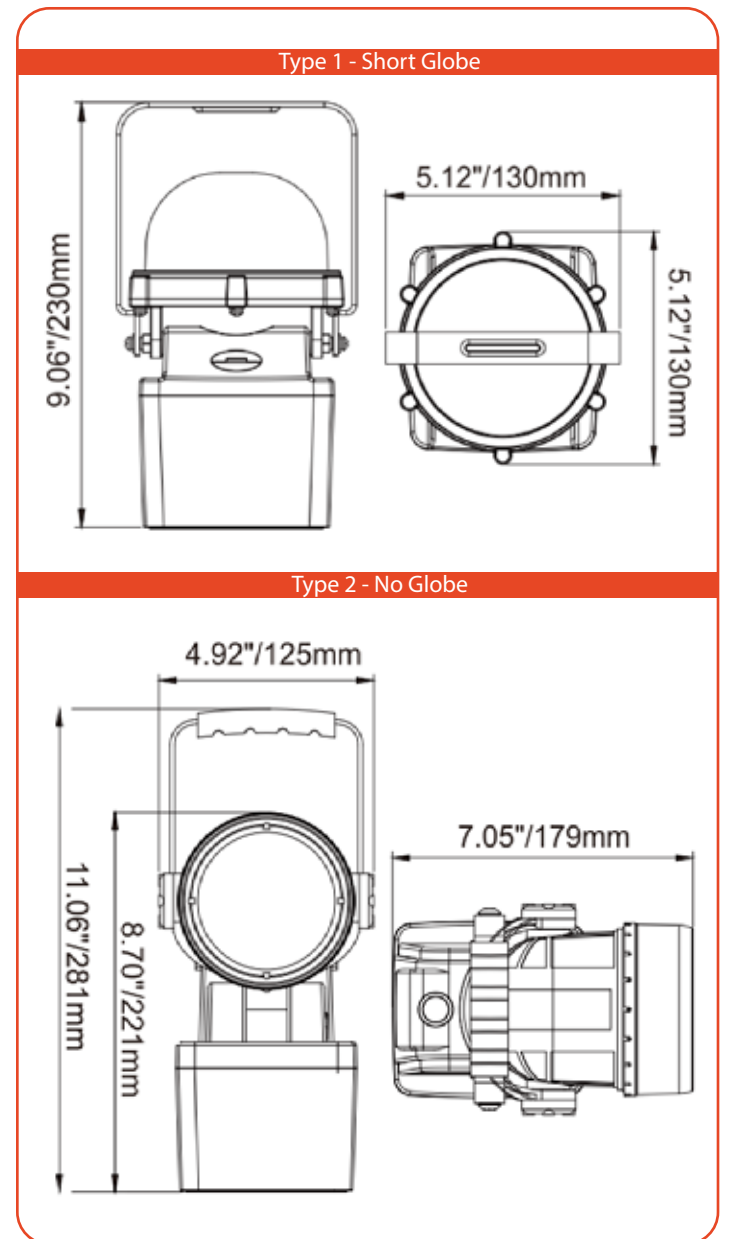


Type 1 - Short Globe



Type 2 - No Globe

Dimensions



Not all product variations listed on this page may be DLC qualified. Visit www.designlights.org/search to confirm qualification.