

Specifications

CRI	Voltage	Ambient Temp (F)	Housing	Lens	Hardware	Dimensions	Beam Angle	IP Rating	Efficacy	Warranty	Case Quantity
80	100-277 V	-40° - 149°	copper-free aluminum	polycarbonate	stainless steel	50' 3.75" 6.30"	120°	IP66	140 LM/W	6 years	1 pcs

select your fixture

Part Number	Color Temp	Consumption	Lumen Output
GI-EPFLF-4C250-C1D2	5000K	40W	8,400
GI-EPFLF-4C250HO-C1D2	5000K	80W	11,200

Optional accessories

Accessories Part Number	Description
1.) GI-ACC-EPFLF-PM	pole mount
2.) GI-ACC-EPPS	photocell sensor
3.) GI-ACC-EPED15	15W Emergency driver + controller

Classifications

Marking UL844 (North American)
Class I, Division 2, Groups A, B, C, D

Other Rating
IP66, IK10

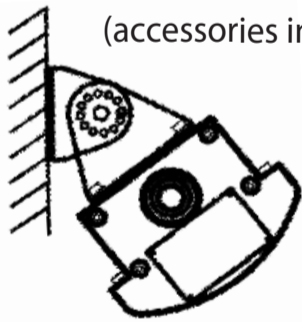
Features

- Rated for high temperatures, humidity, dust and vapor locations
- Light weight design
- Heavy duty & high impact resistant
- 0-10V Dimmable
- Smooth housing allows for easy cleaning/maintenance
- 10kVA Surge protection

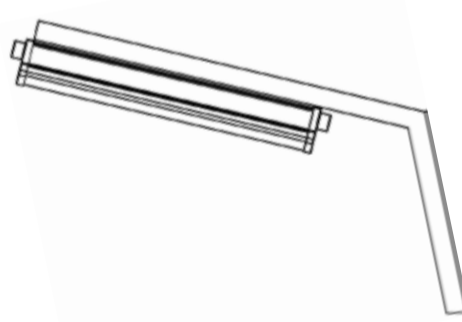


Wall Mounting

(accessories included)

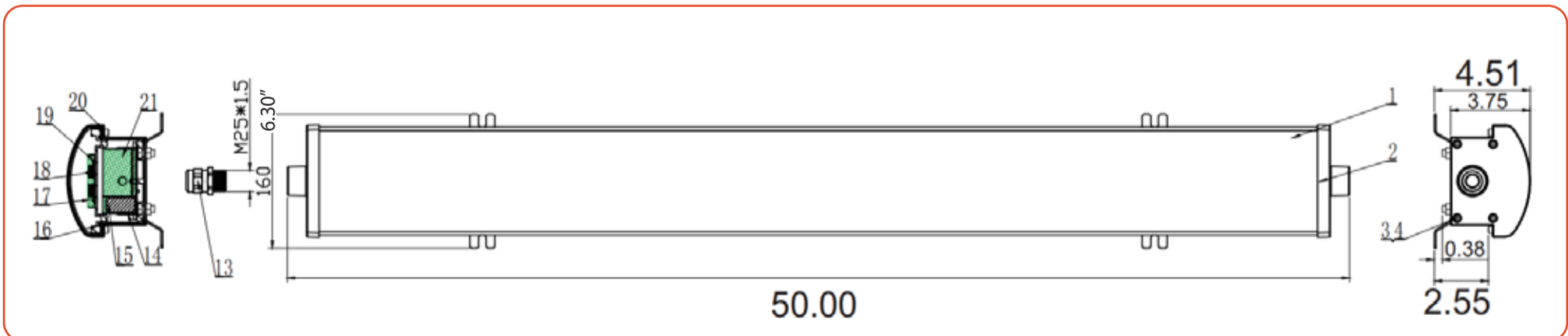


Pole Mounting



Hook / Pendant Mounting

(accessories included)



Not all product variations listed on this page may be DLC qualified. Visit www.designlights.org/search to confirm qualification.