

specifications

Voltage	CRI	Lens	Heat Sink	L70 hours	Surge Protection	Ambient Temp (F)	Power Factor	UL listing	THC	Beam Angle	Enclosed Fixture Rated
347-480V ⚡	> 80	clear polycarbonate	aluminum	50,000	4 KV built-in	-40° - 113°	> 0.9	damp location	< 20%	omni-directional	yes

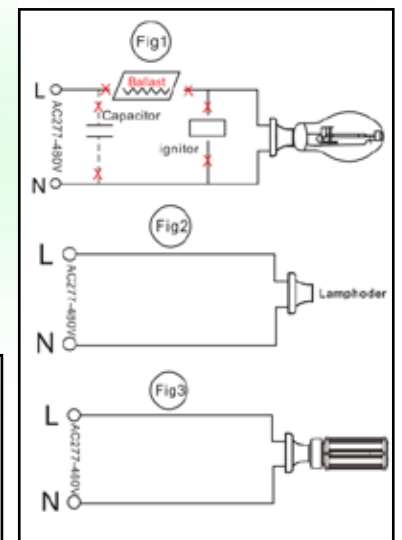
select your lamp

Part Number	Color Temp	Base	Lumen Output	Efficacy	Consumption	Dimensions	Gross Weight
GI-CC-360C250-480UL4	5000K	EX39	8,100	150 lm / W	54 W	3.36" (D) x 7.76" (L)	1.94 lbs
GI-CC-360C400-480UL4	5000K	EX39	15,000	150 lm / W	100 W	5.16" (D) x 10.16" (L)	3.33 lbs

other

Warranty	Case QTY
6 years	16 pcs

Installation Diagram



Features

- Isolated driver for optimal heat dissipation
- 50,000 hour LED lifespan based on
- Shatterproof and flame retardant
- IES LM-80 results and TM-21 calculations
- Minimum compartment size for enclosed fixtures is: 7.87" x 7.87" (54W) & 9.84" X 9.84" (100W)



Not all product variations listed on this page may be DLC qualified. Visit www.designlights.org/search to confirm qualification.

