



specifications

Voltage	CRI	Lens	Heat Sink	L70 Hours	Ambient Temp (F)	Power Factor	UL Listing	THD	Beam Angle	Enclosed Fixture Rated
100 - 277 V ⚡	> 80	clear polycarbonate	aluminum	50,000	-22° - 113°	> 0.9	damp location	< 20%	omni-directional	yes

select your lamp

Part Number	Color Temp	Base	Lumen Output	Consumption	Efficacy
GI-CC-CCT400PS-UL5	<span style="background-color: yellow; border-radius: 50%; padding: 2px;">30K</span> <span style="background-color: cyan; border-radius: 50%; padding: 2px;">40K</span> <span style="background-color: blue; border-radius: 50%; padding: 2px;">50K</span> selectable	EX39	23,250 18,750 15,750	155 W 125 W 105 W	150 lm / W

other

Dimensions	Warranty	Case QTY
4.02" (D) x 8.30" (L)	6 years	6 pcs

Features

- 6 year warranty
- Wattage selectable between 155W/125W/105W
- Color temperature selectable between 3K - 5K
- Internal fan for excellent heat dissipation
- 50,000 hour LED lifespan based on IES LM-80 results and TM-21 calculations
- Shatterproof



Not all product variations listed on this page may be DLC qualified. Visit [www.designlights.org/search](http://www.designlights.org/search) to confirm qualification.



FIG 1.

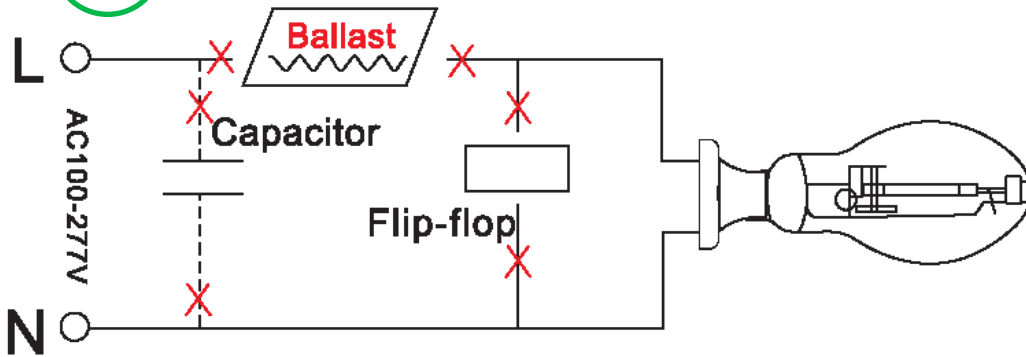


FIG 2.

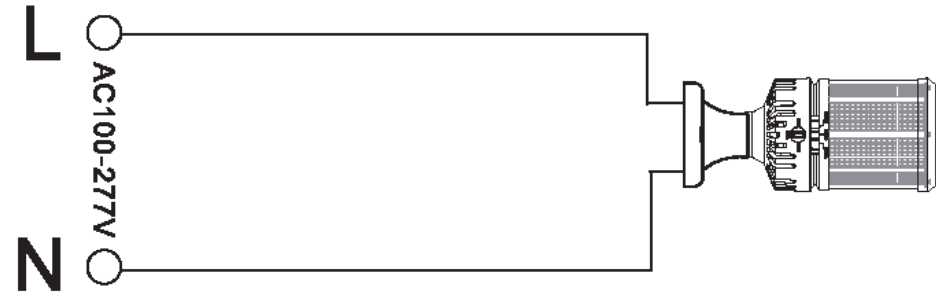


FIG 3.

