

specifications

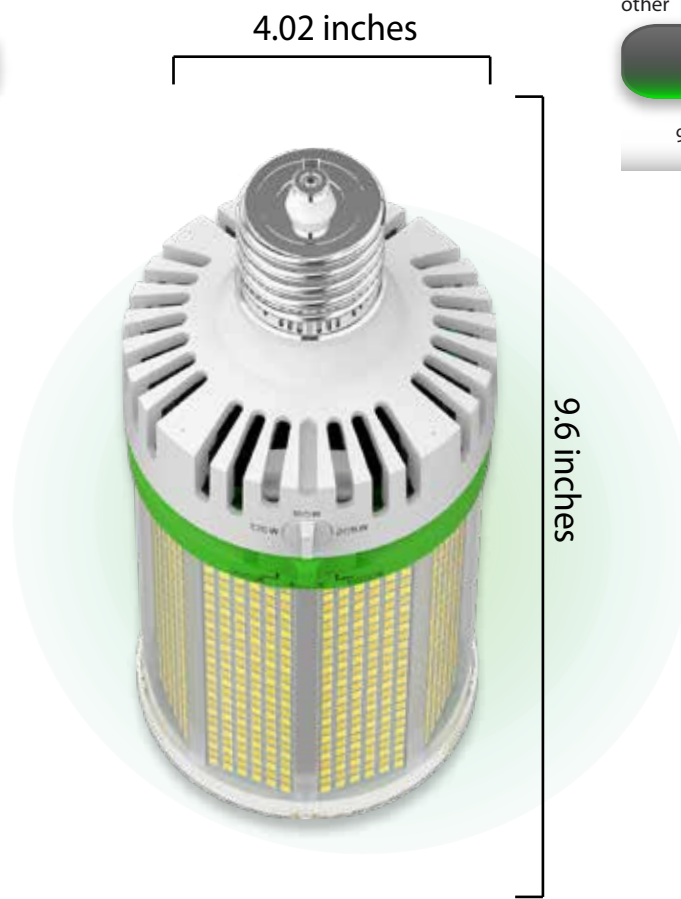
Voltage	CRI	Lens	Heat Sink	L70 Hours	Ambient Temp (F)	Power Factor	UL Listing	THD	Beam Angle	Enclosed Fixture Rated
100 - 277 V ⚡	> 80	clear polycarbonate	aluminum	50,000	-22° - 113°	> 0.9	dry location	< 20%	omni-directional	yes

select your lamp

Part Number	Color Temp	Base	Lumen Output	Consumption	Efficacy
GI-CC-CCT1000PS-UL5	30K 40K 50K <small>selectable</small>	EX39	30,750 24,750 20,250	205 W 165 W 135 W	150 lm / W

other

Dimensions	Warranty	Case QTY
9.6" (L) x 4.02" (D)	6 years	16 pcs



Features

- 6 year warranty
- Wattage selectable between 205W/155W/125W
- Color temperature selectable between 3K - 5K
- Internal fan for excellent heat dissipation
- 50,000 hour LED lifespan based on IES LM-80 results and TM-21 calculations
- Minimum clearance around lamp is 2"
- Shatterproof

Not all product variations listed on this page may be DLC qualified. Visit www.designlights.org/search to confirm qualification.



FIG 1.

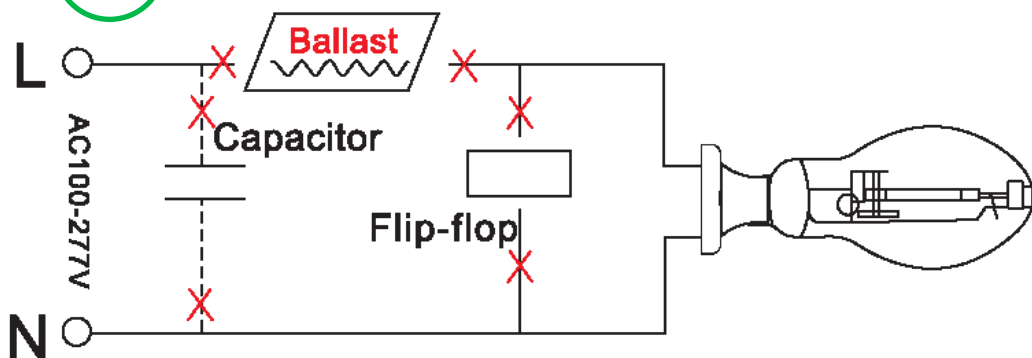


FIG 2.

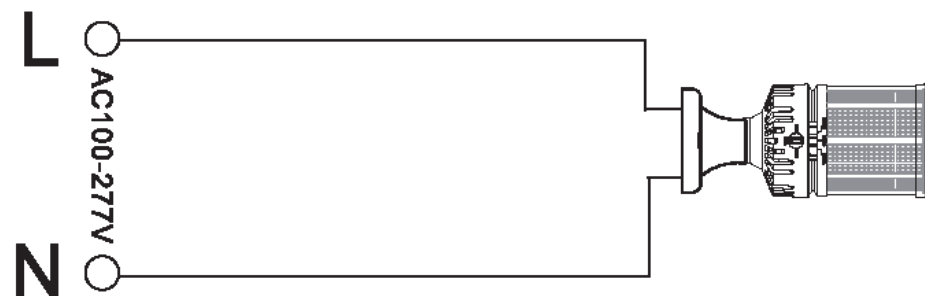


FIG 3.

