



Specifications

Controller Input Voltage	Controller Output Voltage	Battery Response Time	Battery Charge Time	Battery Capacity	Battery Emergency Time	Battery Life Expectancy	Warranty	UL Rating
100 - 277 V	DC42-50V (max)	< 1 second	> 24 hours	4S1P cell rating: 3.7V 2,000mAh total rating: 14.8V 2,000mAh	11.68 lbs	5 years	5 years	wet location

select your fixture

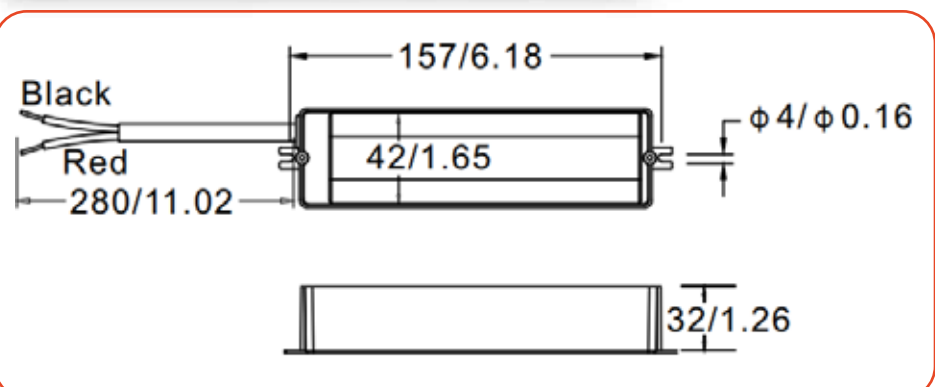
Part Number	Consumption	Driver Dimensions	Controller Dimensions	Battery Ambient Temp.
GI-ACC-EPED15	15W	6.18" x 0.16" x 1.26"	6.7" x 11.02" x 1.38"	14° - 140° (F)



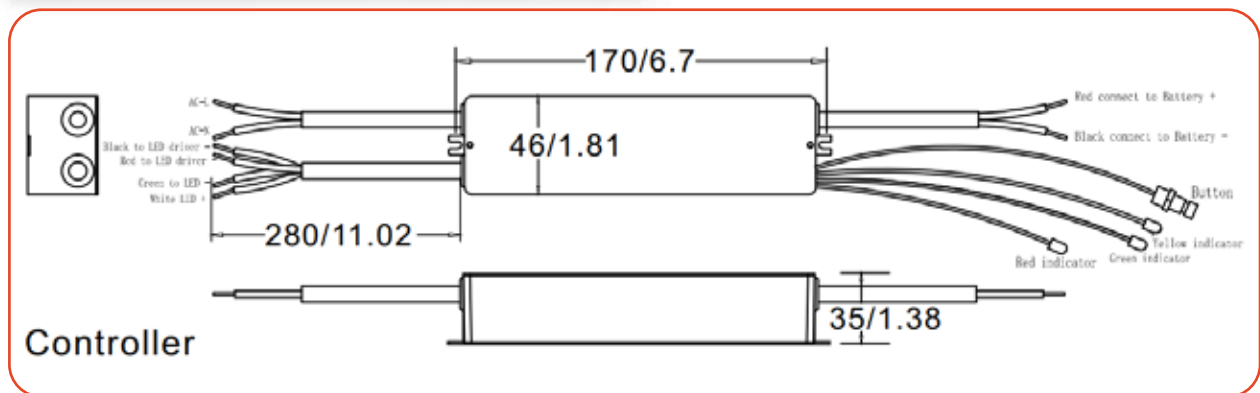
Features

- ▶ Rated to be used in classified, hazardous locations
- ▶ Discharge: The indicator light will turn yellow when the battery is below 20%
- ▶ Charge: The indicator light will turn red when the battery charge is between 20% and 80%. When the battery charge hits 80% the light will turn green
- ▶ Compatible with various explosion proof fixtures from Green Ignite. Some also require our emergency battery box (GI-ACC-EPEDKC) and conduit (GI-ACC-EPED15C)
- ▶ Built-in constant current limiting circuit
- ▶ UL (type HL), CE, RoHS certified

Battery Dimensions (mm/inches)



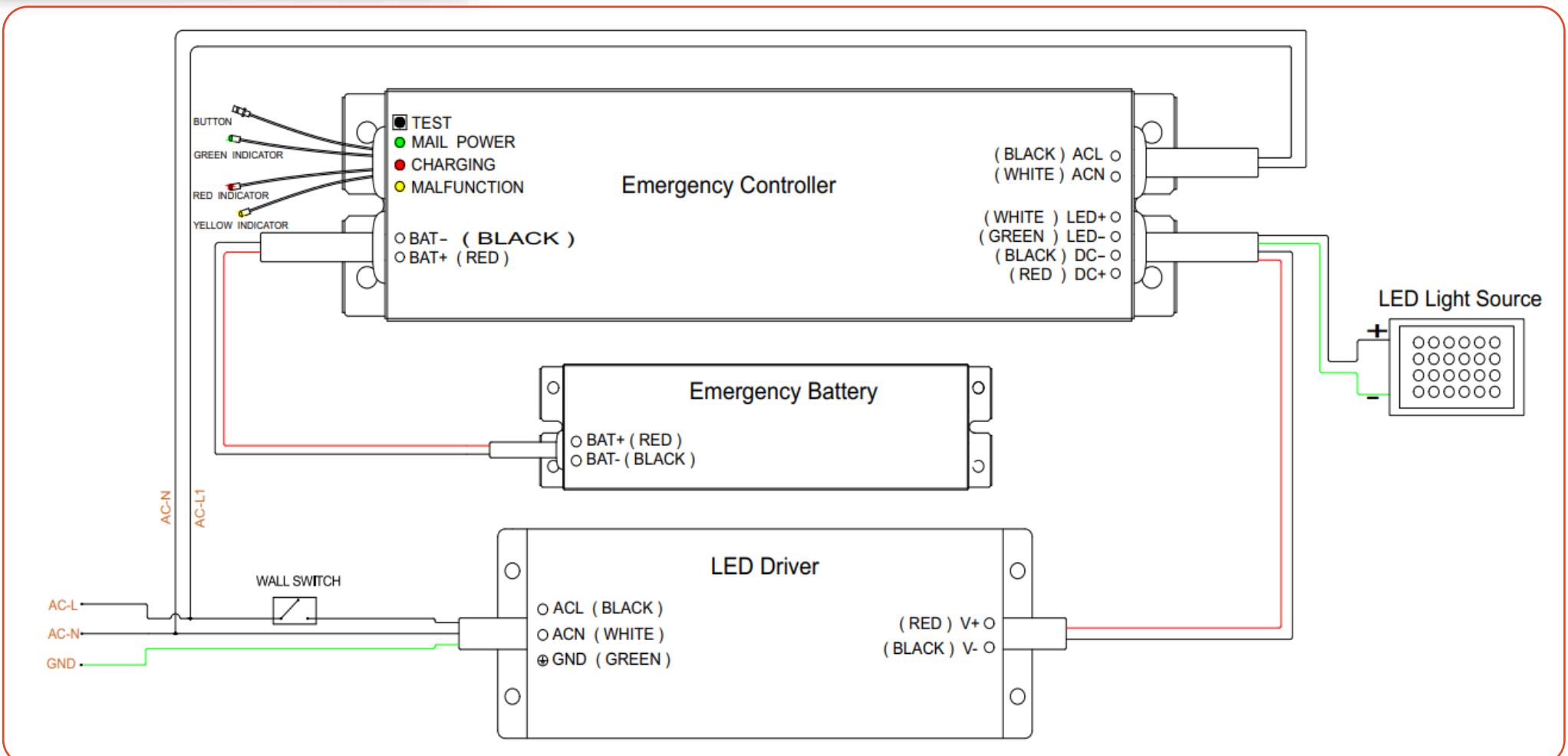
Controller Dimensions (mm/inches)



WARNING:

If the power supply has not been used for 6 months, it must be activated by charging for 24 hours and then discharging to below 20% (repeat this process 3 times).

Wiring Diagram



Not all product variations listed on this page may be DLC qualified. Visit [www.designlights.org/search](http://www.designlights.org/search) to confirm qualification.

