

specifications

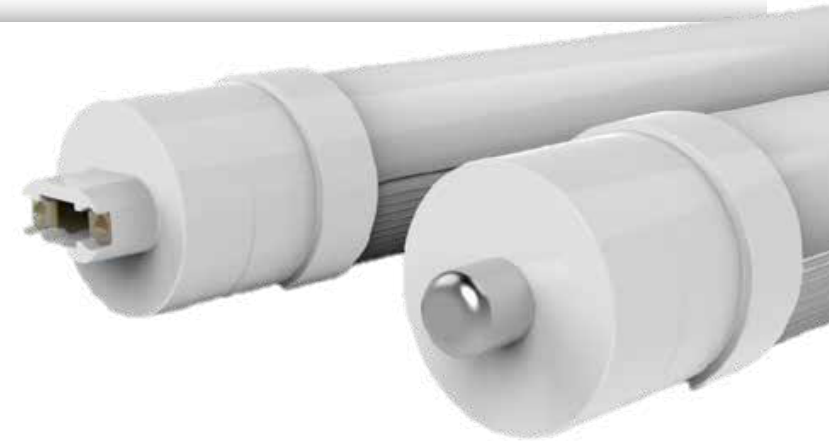
Consumption	Voltage	CRI	BASE	Lens	Heat Sink	L70 hours	Ambient Temp (F)	Power Factor	UL listing	THC	Beam Angle	Dimensions
30W	100-277 V	83	R17D DB FA8	polycarbonate	aluminum	50,000	-4° - 113°	>0.9	damp location fully enclosed fixtures	<20%	320°	69.8" (L) 1" (D)

select your lamp

Part Number	Color Temp	Lumen Output	Efficacy
GI-6T8-W60-ULDW4	3000K	3,600	120 lm / w
GI-6T8-D60-ULDW4	4000K	3,600	120 lm / w
GI-6T8-C60-ULDW4	5000K	3,600	120 lm / w

other

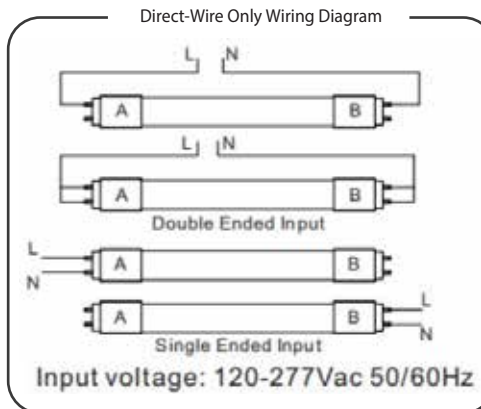
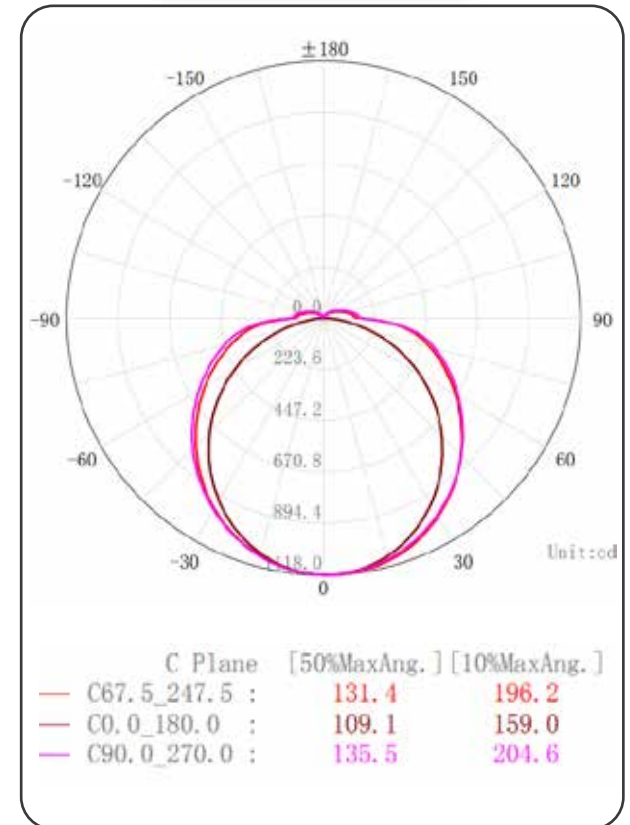
Warranty	Weight	Case QTY
6 years	0.66 lbs	25 pcs



Distance vs Illumination



Luminous Intensity Diagram



Features

- Both R17D and FA8 conversion caps included
- Rated for fully enclosed fixtures
- 50,000 hour LED lifespan based on IES LM-80 results and TM-21 calculations
- Double-side powered



Not all product variations listed on this page may be DLC qualified. Visit www.designlights.org/search to confirm qualification.

