



specifications

Lens	CRI	Voltage	Efficacy	Finish	Material	L70 hours	SP	Ambient Temp (F)	Power Factor	UL listing	THD	Dimensions
polycarbonate	>70	120 - 277 V	142 LM / W	white	die-cast aluminum	50,000	10 KV optional	-40° - 122°	> 0.9	damp location	<0.2	23.62" x 9.84" x 1.75"

Part Number	Color Temp	Consumption
GI-21SLHB-CCT1000EC-PSUL5	 selectable	210W - 30,000 LM 180W - 25,000 LM 130W - 20,000 LM 90W - 13,600 LM

select your accessories*

Part Number	Description
GI-ACC-PNPOCC	plug-n-play occupancy sensor
GI-ACC-LHB-15EB	15W emergency battery back-up
GI-ACC-WG	wire guard
GI-ACC-PH	pendant hanger

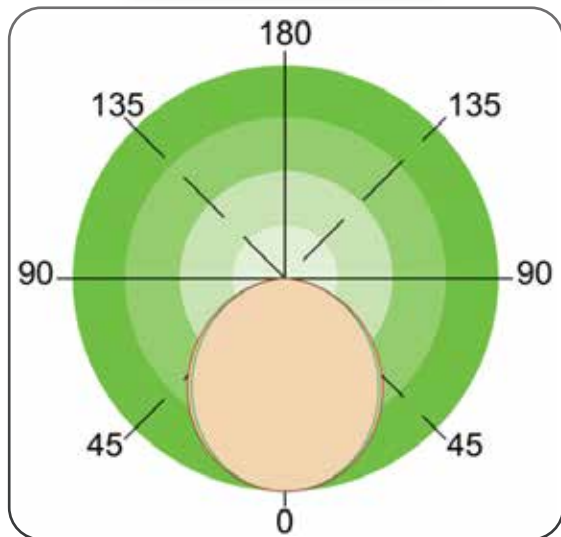
optional*

other

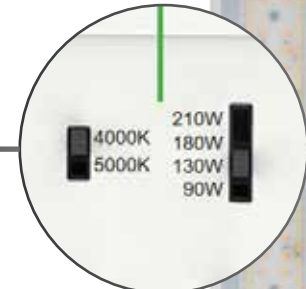
Warranty	Weight	Case QTY
6 years	5.98 lbs	1 pc



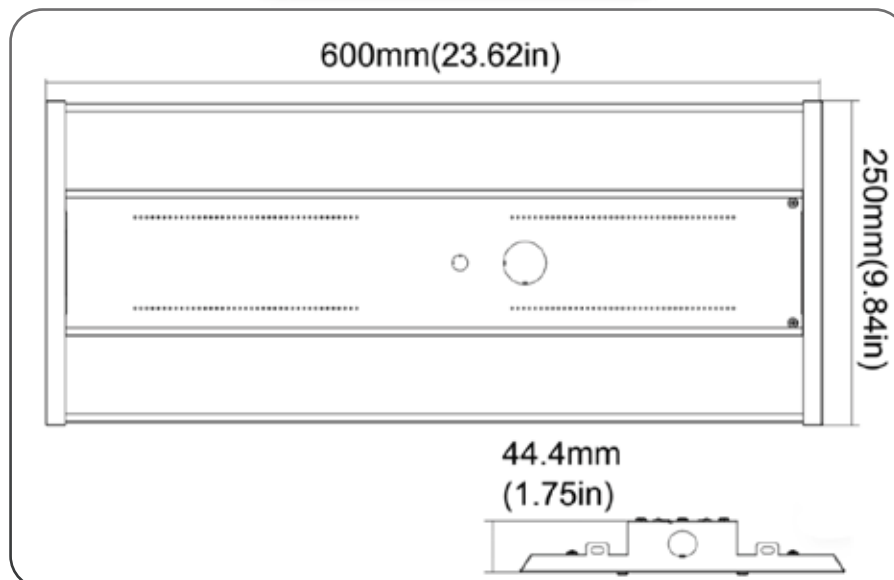
Photometric Diagram



Color temp & Power selectable switch



Dimensional Diagram



Features

- Suitable for commercial, retail and industrial applications.
- Optional motion sensor saves energy and allows for security.
- Housing is suitable for damp locations
- 0-10V Dimmable

Not all product variations listed on this page may be DLC qualified. Visit www.designlights.org/search to confirm qualification.

