

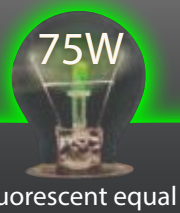


Que-2-TXT™  
Questions?  
scan to text us fast



# F60 PLASTIC LED SIGN RETROFIT LAMP

DOUBLE SIDE LIT, HIGH BRIGHTNESS



## specifications

Voltage	CRI	BASE	Lens	Heat Sink	L70 hours	Ambient Temp (F)	Power Factor	IP Rating	THC	Beam Angle
⚡ 100-277 V	83	R17D	double-side plastic	aluminum	50,000	-22°- 131°	>0.9	IP 64 except for base	<15%	360°

## select your lamp

Part Number	Color Temp	Consumption	Lumen Output	Efficacy	Length (pin to pin)	Diameter
GI-F60T10-CC75-R17D4	6000K	30W	3,900	130 lm / w	57.91"	1.28"

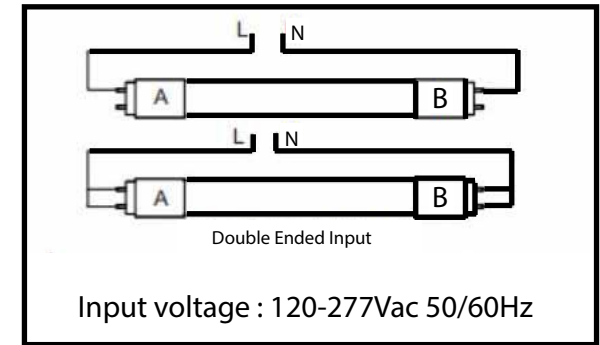
Warranty	Weight	Case QTY
6 years	2.14 lbs	10 pcs

## Features

- Rotatable base
- Rated for fully enclosed fixtures
- 50,000 hour LED lifespan based on IES LM-80 results and TM-21 calculations
- Double-side powered
- Designed for double sided signs
- Replaces F60T12/HO lamps



## Installation Diagram



/greenignite  
@greenignite



www.greenignite.com



info@greenignite.com



1-877-560-3779



Que-2-TXT™  
Questions?  
scan to text us fast



# F64 PLASTIC LED SIGN RETROFIT LAMP

DOUBLE SIDE LIT, HIGH BRIGHTNESS



## specifications

Voltage	CRI	BASE	Lens	Heat Sink	L70 hours	Ambient Temp (F)	Power Factor	IP Rating	THC	Beam Angle
⚡ 100-277 V	83	R17D	double-side plastic	aluminum	50,000	-22°- 131°	>0.9	IP 64 except for base	<15%	360°

## select your lamp

Part Number	Color Temp	Consumption	Lumen Output	Efficacy	Length (pin to pin)	Diameter
GI-F64T10-CC80-R17D4	6000K	33W	3,960	120 lm / w	61.91"	1.28"

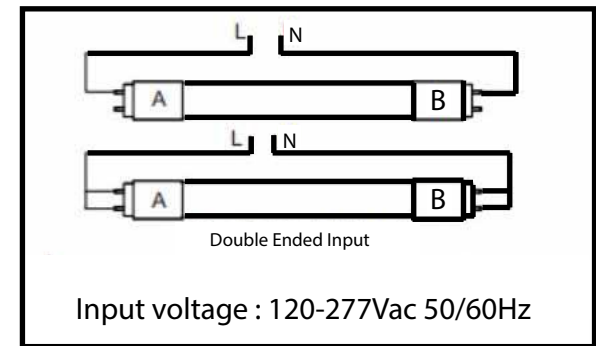
Warranty	Weight	Case QTY
6 years	2.69 lbs	10 pcs



## Features

- Rotatable base
- Rated for fully enclosed fixtures
- 50,000 hour LED lifespan based on IES LM-80 results and TM-21 calculations
- Double-side powered
- Designed for double sided signs
- Replaces F64T12/HO lamps

## Installation Diagram



/greenignite  
@greenignite



www.greenignite.com



info@greenignite.com



1-877-560-3779

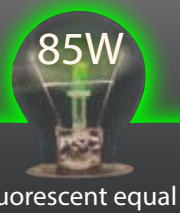


Que-2-TXT™  
Questions?  
scan to text us fast



# F72 PLASTIC LED SIGN RETROFIT LAMP

DOUBLE SIDE LIT, HIGH BRIGHTNESS



## specifications

Voltage	CRI	BASE	Lens	Heat Sink	L70 hours	Ambient Temp (F)	Power Factor	IP Rating	THC	Beam Angle
⚡ 100-277 V	83	R17D	double-side plastic	aluminum	50,000	-22°- 131°	>0.9	IP 64 except for base	<15%	360°

## select your lamp

Part Number	Color Temp	Consumption	Lumen Output	Efficacy	Length (pin to pin)	Diameter
GI-F72T10-CC85-R17D4	6000K	36W	4,320	120 lm / w	69.91"	1.28"

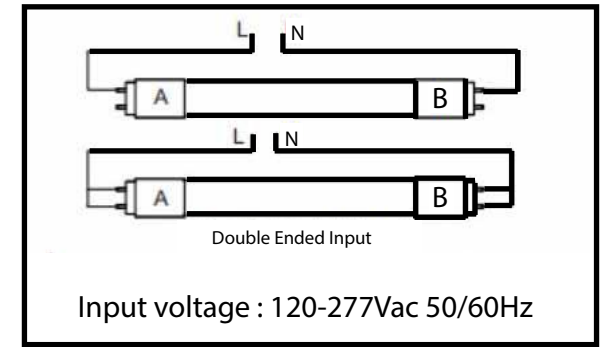
Warranty	Weight	Case QTY
6 years	2.98 lbs	10 pcs



## Features

- ▶ Rotatable base
- ▶ Rated for fully enclosed fixtures
- ▶ 50,000 hour LED lifespan based on IES LM-80 results and TM-21 calculations
- ▶ Double-side powered
- ▶ Designed for double sided signs
- ▶ Replaces F72T12/HO lamps

## Installation Diagram



/greenignite  
@greenignite



www.greenignite.com



info@greenignite.com



1-877-560-3779

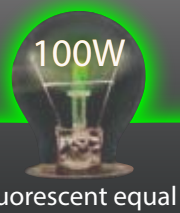


Que-2-TXT™  
Questions?  
scan to text us fast



# F84 PLASTIC LED SIGN RETROFIT LAMP

DOUBLE SIDE LIT, HIGH BRIGHTNESS



## specifications

Voltage	CRI	BASE	Lens	Heat Sink	L70 hours	Ambient Temp (F)	Power Factor	IP Rating	THC	Beam Angle
⚡ 100-277 V	83	R17D	double-side plastic	aluminum	50,000	-22°- 131°	>0.9	IP 64 except for base	<15%	360°

## select your lamp

Part Number	Color Temp	Consumption	Lumen Output	Efficacy	Length (pin to pin)	Diameter
GI-F84T10-CC100-R17D4	6000K	42W	5,040	120 lm / w	81.91"	1.28"

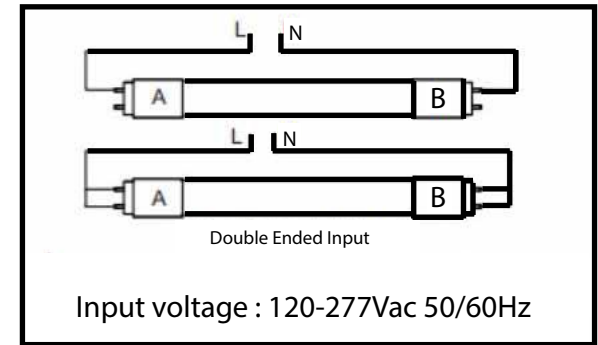
Warranty	Weight	Case QTY
6 years	3.46 lbs	10 pcs



## Features

- ▶ Rotatable base
- ▶ Rated for fully enclosed fixtures
- ▶ 50,000 hour LED lifespan based on IES LM-80 results and TM-21 calculations
- ▶ Double-side powered
- ▶ Designed for double sided signs
- ▶ Replaces F84T12/HO lamps

## Installation Diagram



/greenignite  
@greenignite



www.greenignite.com



info@greenignite.com



1-877-560-3779