



Que-2-TXT™  
Questions?  
scan to text us fast



# F36 PLASTIC LED SIGN RETROFIT LAMP

DOUBLE SIDE LIT, HIGH BRIGHTNESS



## specifications

Voltage	CRI	BASE	Lens	Heat Sink	L70 hours	Ambient Temp (F)	Power Factor	IP Rating	THC	Beam Angle
⚡ 100-277 V	83	R17D	double-side plastic	aluminum	50,000	-22°- 131°	>0.9	IP 64 except for base	<15%	360°

## select your lamp

Part Number	Color Temp	Consumption	Lumen Output	Efficacy	Length (pin to pin)	Diameter
GI-F36T10-CC45-R17D4	6000K	16W	1,920	120 lm / w	33.91	1.28"

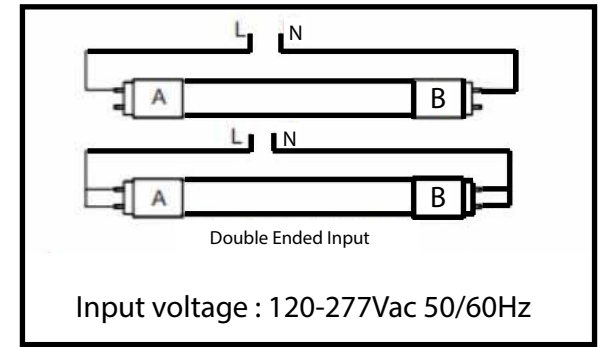
Warranty	Weight	Case QTY
6 years	1.23 lbs	10 pcs

## Features

- Rotatable base
- Rated for fully enclosed fixtures
- 50,000 hour LED lifespan based on IES LM-80 results and TM-21 calculations
- Double-side powered
- Designed for double sided signs
- Replaces F36T12/HO lamps



## Installation Diagram



/greenignite  
@greenignite



www.greenignite.com



info@greenignite.com



1-877-560-3779



Que-2-TXT™  
Questions?  
scan to text us fast



# F42 PLASTIC LED SIGN RETROFIT LAMP

DOUBLE SIDE LIT, HIGH BRIGHTNESS



## specifications

Voltage	CRI	BASE	Lens	Heat Sink	L70 hours	Ambient Temp (F)	Power Factor	IP Rating	THC	Beam Angle
⚡ 100-277 V	83	R17D	double-side plastic	aluminum	50,000	-22°- 131°	>0.9	IP 64 except for base	<15%	360°

## select your lamp

Part Number	Color Temp	Consumption	Lumen Output	Efficacy	Length (pin to pin)	Diameter
GI-F42T10-CC55-R17D4	6000K	21W	2,730	130 lm / w	39.91	1.28"

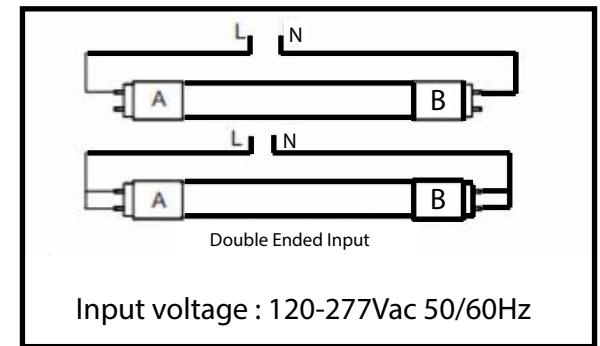
Warranty	Weight	Case QTY
6 years	1.48 lbs	10 pcs

## Features

- Rotatable base
- Rated for fully enclosed fixtures
- 50,000 hour LED lifespan based on IES LM-80 results and TM-21 calculations
- Double-side powered
- Designed for double sided signs
- Replaces F42T12/HO lamps



## Installation Diagram



/greenignite  
@greenignite



www.greenignite.com



info@greenignite.com



1-877-560-3779



Que-2-TXT™  
Questions?  
scan to text us fast



# F48 PLASTIC LED SIGN RETROFIT LAMP

DOUBLE SIDE LIT, HIGH BRIGHTNESS



## specifications

Voltage	CRI	BASE	Lens	Heat Sink	L70 hours	Ambient Temp (F)	Power Factor	IP Rating	THC	Beam Angle
⚡ 100-277 V	83	R17D	double-side plastic	aluminum	50,000	-22°- 131°	>0.9	IP 64 except for base	<15%	360°

## select your lamp

Part Number	Color Temp	Consumption	Lumen Output	Efficacy	Length (pin to pin)	Diameter
GI-F48T10-CC60-R17D4	6000K	26W	3,380	130 lm / w	45.91"	1.28"

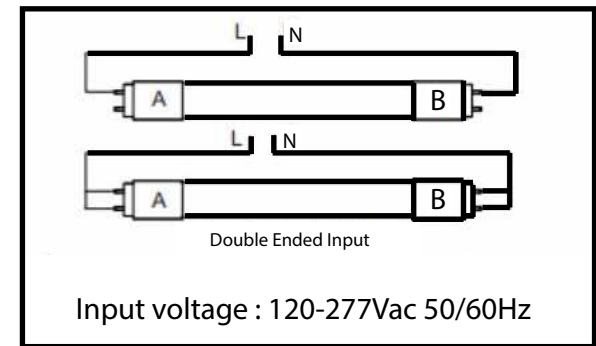
Warranty	Weight	Case QTY
6 years	1.68 lbs	10 pcs



## Features

- Rotatable base
- Rated for fully enclosed fixtures
- 50,000 hour LED lifespan based on IES LM-80 results and TM-21 calculations
- Double-side powered
- Designed for double sided signs
- Replaces F48T12/HO lamps

## Installation Diagram



/greenignite  
@greenignite



www.greenignite.com



info@greenignite.com



1-877-560-3779