

Specifications

CRI	Color Temp	Ambient Temp (F)	Mounting Bracket	Housing	Lens	Hardware	IP Rating	Efficacy	Gross Weight	Beam Angle	Warranty	Case Quantity
80	5000K	-40° - 131°	stainless steel	copper-free aluminum	tempered glass	stainless steel	IP66	140 LM/W	42.99 lbs	120°	6 years	1 pcs

select your fixture

Part Number	Consumption	Lumen Output	Voltage
GI-EPD-C70-G4	60W	8,400	AC 100-277 V ⚡ DC 12-48 V
GI-EPD-C100-G4	80W	11,200	AC 100-277 V ⚡ DC 12-48 V
GI-EPD-C400-G4	100W	14,000	AC 100-277 V ⚡ DC 12-48 V
GI-EPD-C400HO-G4	150W	21,000	AC 100-277 V ⚡ DC 12-48 V
GI-EPD-C400HO-480G4	150W	21,000	AC 200-480 V ⚡⚡

Classifications

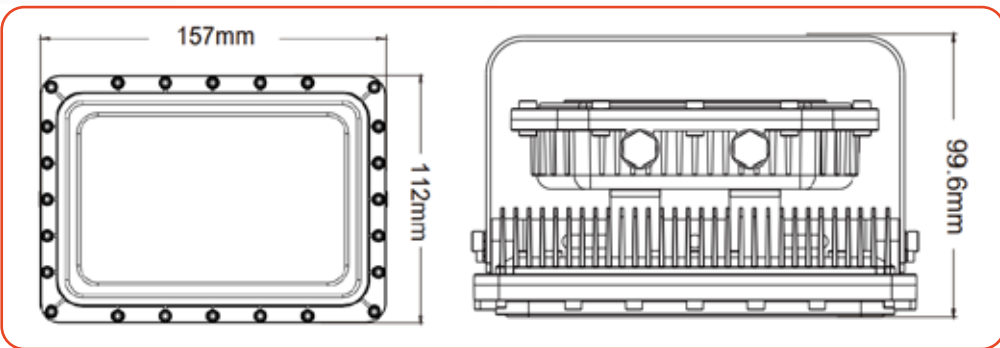


Marking UL844(North American)
Class I, Div. 1, Groups C, D
Class I, Div. 2, Groups A,B,C,D
Class II, Div. 1, Groups E,F,G
Class II, Div. 2, Groups F,G
Class III

Marine Marking
UL 1598A
ABS
Other Rating
IP 66
IK 10



Dimensional Diagram



Features

- Rated for high temperatures, humidity, dust and vapor locations
- Light weight design
- Heavy duty & high impact resistant
- 0-10V Dimmable
- 100,000 Hour lifespan
- Various installation options for particular applications
- 10kVA Surge protection

Distributional Diagram

	Center Beam fc	Beam Width	
4ft	683fc	11ft	11ft
8ft	170fc	21ft	22ft
12ft	73fc	32ft	33ft
16ft	39fc	43ft	45ft
20ft	26fc	53ft	56ft

■ vert, Spread; 120°
■ Horiz, Spread; 120°

Optional mounts

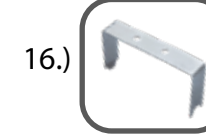
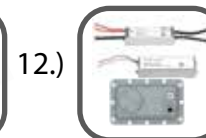
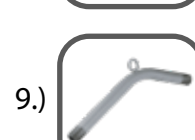
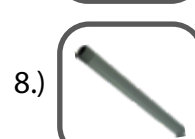
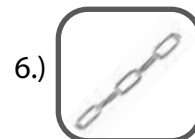
Accessories Part Number	Description
1.) GI-ACC-EPSMA	Surface Mounting Arm
2.) GI-ACC-EP25S	25° Pole Support
3.) GI-ACC-EP90WJB	90° Wall Support & Junction Box
4.) GI-ACC-EP25WS	25° Wall Support
5.) GI-ACC-EP90S	90° Pole Support

Optional accessories

Accessories Part Number	Description
6.) GI-ACC-EPC	Pendant Chain
7.) GI-ACC-EPH	Hook Mount
8.) GI-ACC-EPSSP	Straight Swing Pipe
9.) GI-ACC-EPPB	Bended Pipe
10.) GI-ACC-EPJB	Junction Box
11.) GI-ACC-EPED15	15W Emergency driver + controller (for 100W - 150W)
12.) GI-ACC-EPEDK15	15W Emergency back-up kit (for 60W & 80W)
13.) GI-ACC-EPED15C	Conduit for 15W Emergency back-up kit
14.) GI-ACC-EPDWG	Wire Guard
15.) GI-ACC-EPPS	Photocell Sensor

Included accessories

Accessories Part Number	Description
16.) GI-ACC-EPUB	U-bracket / Trunnion



Not all product variations listed on this page may be DLC qualified. Visit www.designlights.org/search to confirm qualification.

