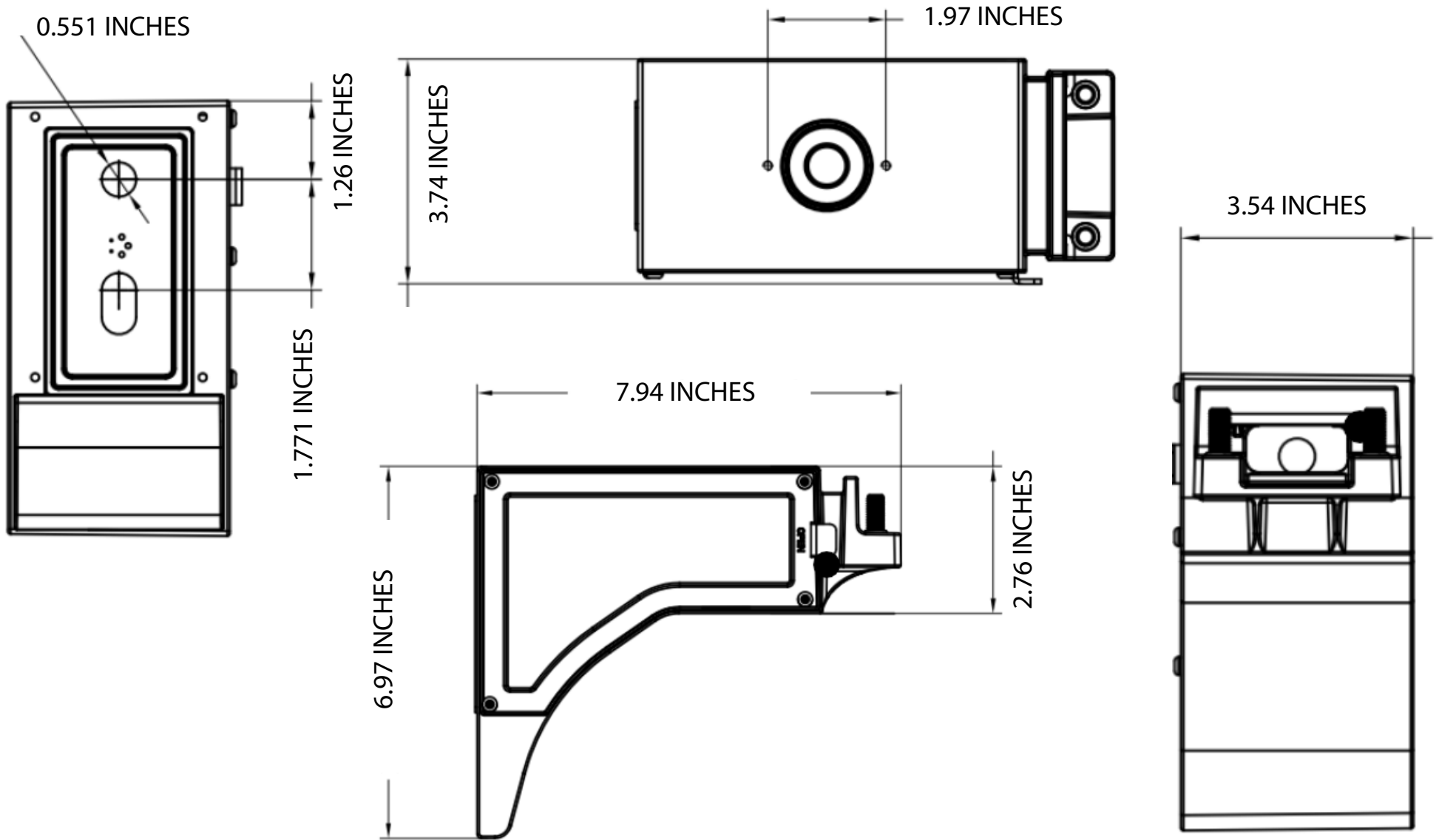
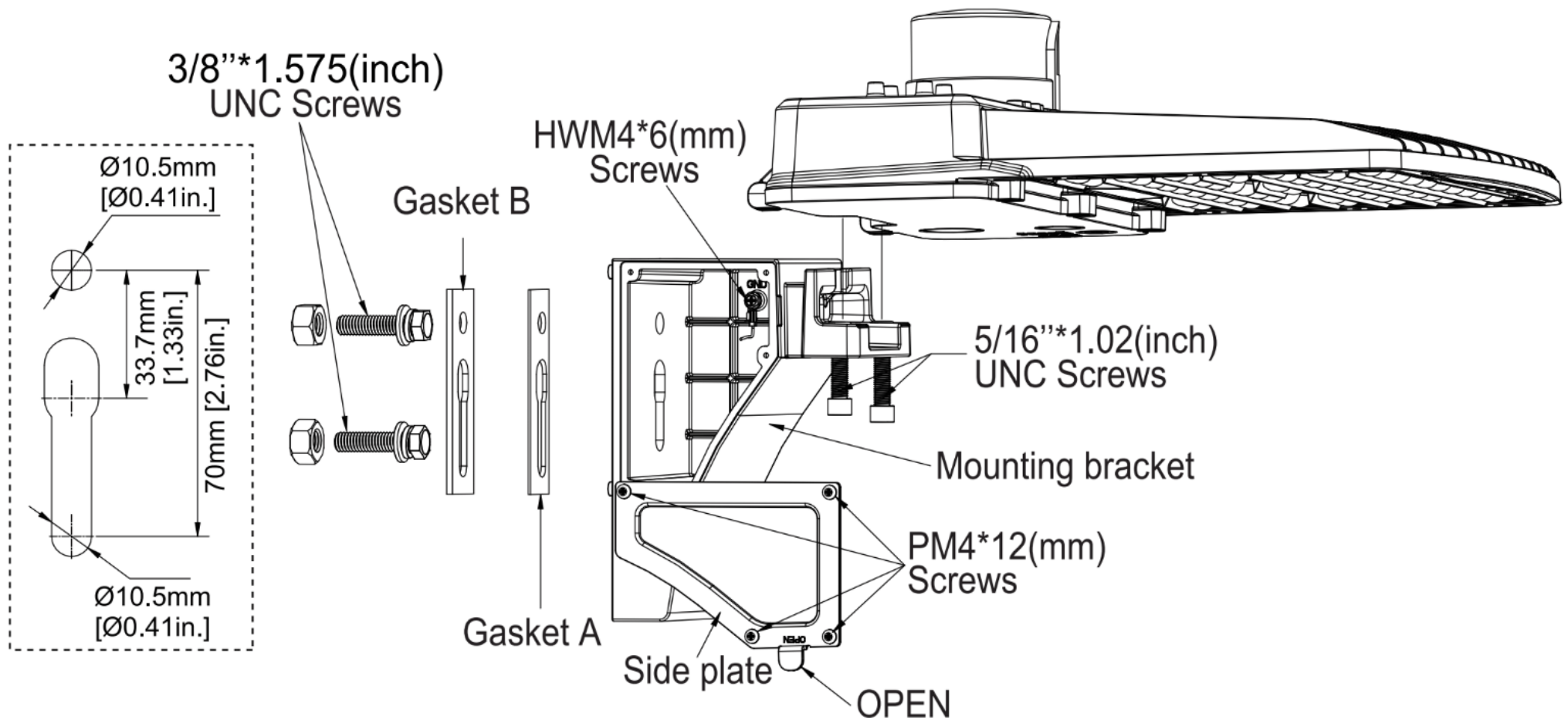




Dimensional Diagram



Installation Diagram



1. Remove the side plate from the mounting bracket
2. Secure the bracket to the pole with the (2) 3/8 screws provided
3. Route the power cord into the mounting bracket through the hole, slide the fixture onto the bracket and tighten the (2) bottom screws
4. Slightly tug on the wires to ensure the hole on the bracket is sealed by the silicone gasket
5. Connect the wires and secure the side plate back on

