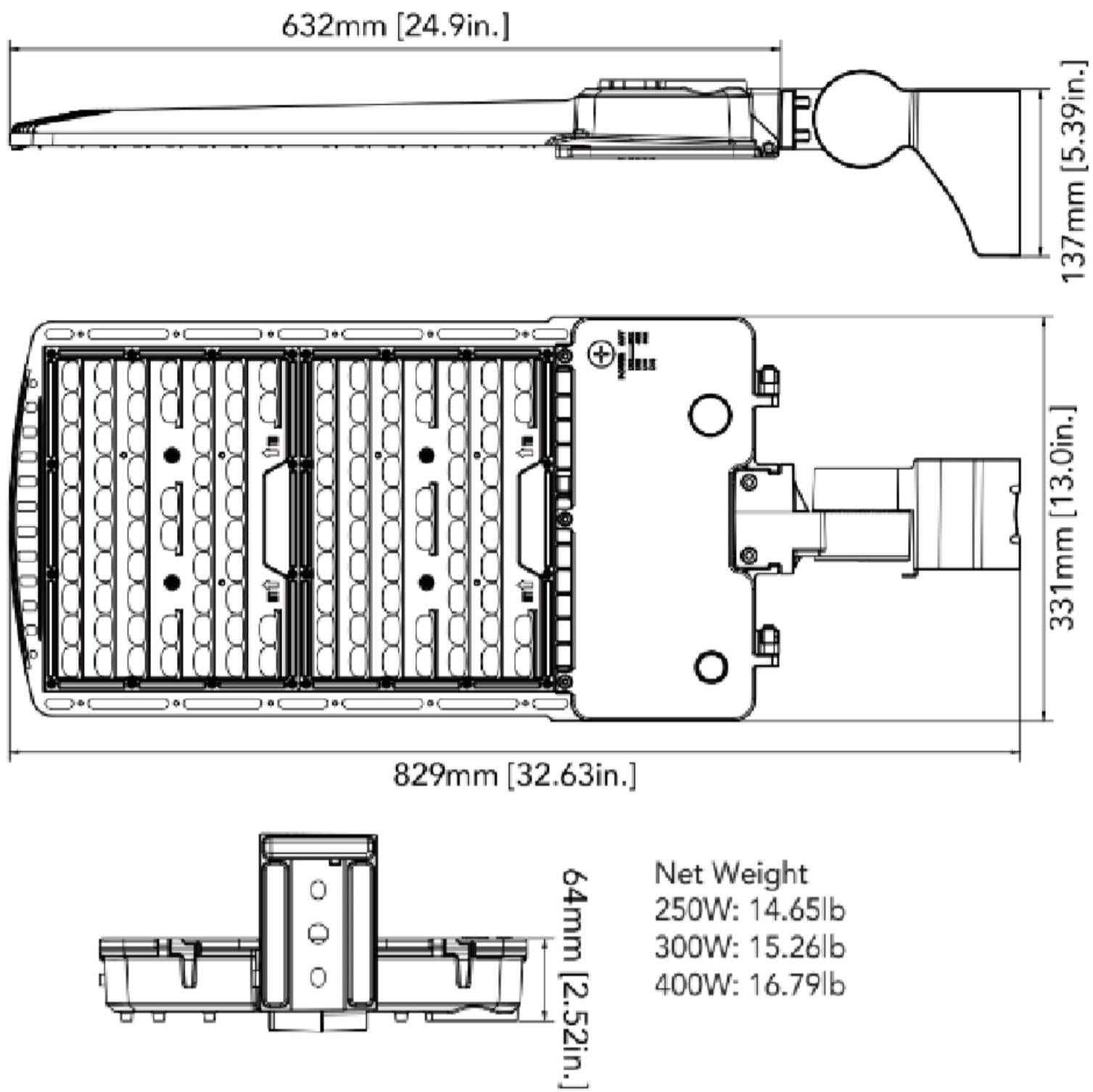
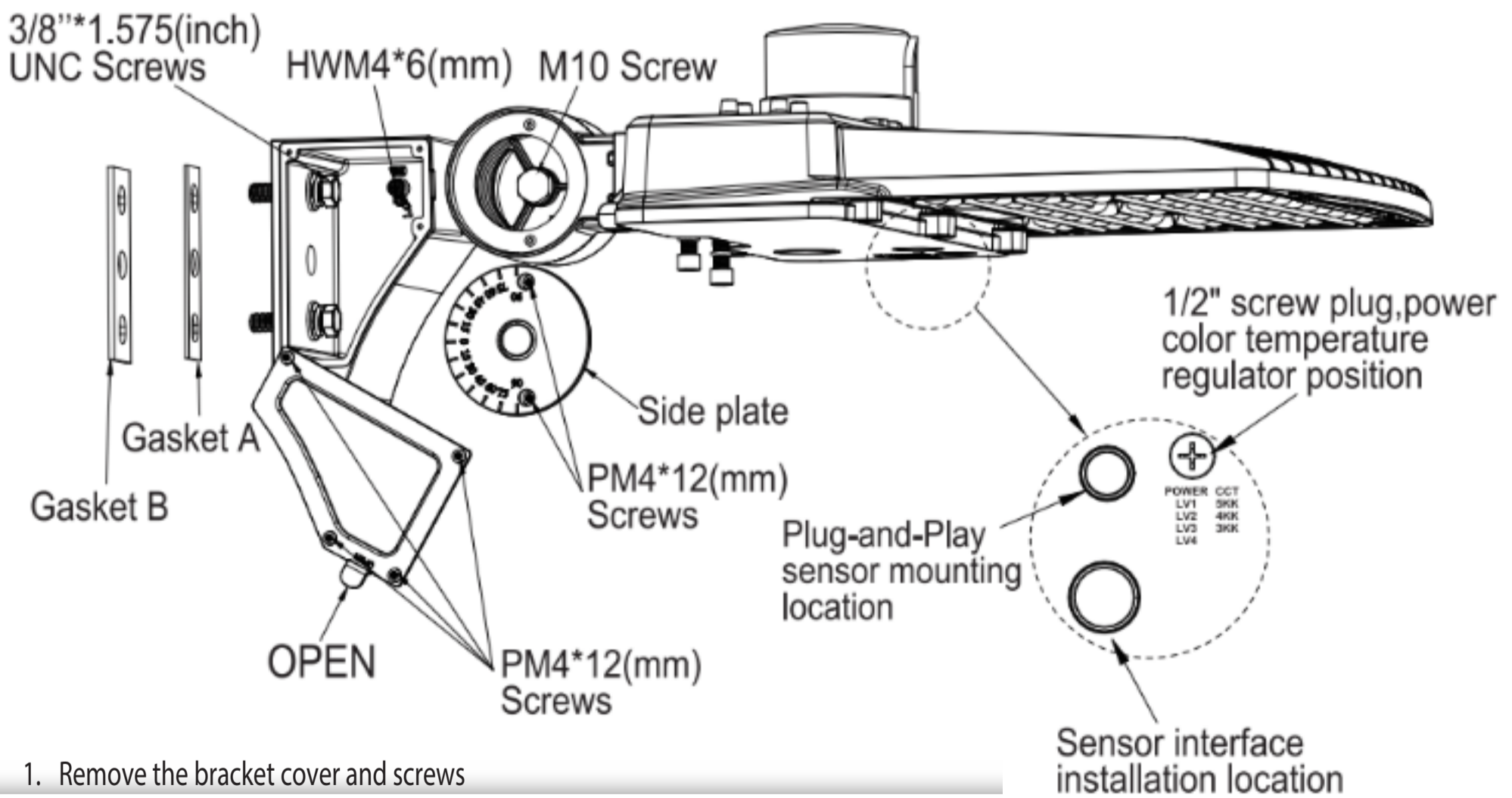




Dimensional Diagram



Installation Diagram



1. Remove the bracket cover and screws
2. Secure the bracket to the light pole with (2) 1-3/8" screws
3. Loosen the M10 screws and adjust to the desired angle
4. Thread the input wire through the bracket
5. Secure the fixture onto the bracket
6. Connect the wires
7. Arrange the power cord and install the 2 face covers, ensuring that the power cord is not exposed

