

Specifications

CRI	Color Temp	Ambient Temp (F)	Mounting Bracket	Housing	Lens	Hardware	IP Rating	SP	Efficacy	Gross Weight	Beam Angle	Warranty	Case Quantity
80	5000K	-40° - 131°	stainless steel	copper-free aluminum	tempered glass	stainless steel	IP66	10KV	140 LM/W	11.68 lbs	120°	6 years	1 pcs

select your fixture

Part Number	Consumption	Voltage	Lumen Output	Dimensions
GI-EPA-C250C-C1D2	60W	AC 100-277 V DC 12-48 V	8,400	10.2" x 6.3" x 8.31"
GI-EPA-C250L-C1D2	60W	AC 100-277 V DC 12-48 V	8,400	12.5" x 9.45" x 6.5"
GI-EPA-C250HO-C1D2	80W	AC 100-277 V DC 12-48 V	11,200	12.5" x 9.45" x 6.5"
GI-EPA-C400-C1D2	100W	AC 100-277 V DC 12-48 V	14,000	12.5" x 9.45" x 6.5"
GI-EPA-C400HO-C1D2	150W	AC 100-277 V DC 12-48 V	21,000	14.9" x 9.1" x 10.6"
GI-EPA-C400HO-480C1D2	150W	AC 200-480 V	21,000	14.9" x 9.1" x 10.6"
GI-EPA-C1000EC-C1D2	200W	AC 100-277 V DC 12-48 V	28,000	14.9" x 9.1" x 10.6"
GI-EPA-C1000-C1D2	300W	AC 100-277 V DC 12-48 V	42,000	14.9" x 9.1" x 10.6"
GI-EPA-C1500-C1D2	400W	AC 100-277 V DC 12-48 V	56,000	18.6" x 13.8" x 10.2"

Classifications

Marking UL844 (North American)  
Class I, Division 2, Groups A, B, C, D  
Class II, Division 1, Groups E, F, G  
Class III, Division 2, Groups F, G  
Class III

Marking ATEX  
II 3 G Ex ec IIC T3 Gc  
II 2 D Ex tb IIIC T103°C Db  
II 2 G Ex mb eb IIC T3 Gb  
II 2 D Ex tb IIC T125°C Db  
Marking IECEx  
Ex ec IIC T3C Gc  
Ex tb IIIC T\*\*°C Db  
Ex mb eb II C T3C Gb  
Ex tb IIC T125°C Db

Marine Marking  
UL 1598, UL1598A, ABS  
Other Rating  
IP66, IK08



Features

- ▶ Rated for high temperatures, humidity, dust and vapor locations
- ▶ Light weight design
- ▶ Heavy duty & high impact resistant
- ▶ 0-10V Dimmable
- ▶ 100,000 Hour lifespan
- ▶ Various installation options for particular applications
- ▶ 10kVA Surge protection

Distributional Diagram

Center Beam fc	Beam Width	
4ft	683fc	11ft
8ft	170fc	22ft
12ft	73fc	33ft
16ft	39fc	45ft
20ft	26fc	56ft

■ Vert, Spread; 120°  
■ Horiz, Spread; 120°

- 1.)
- 2.)
- 3.)
- 4.)
- 5.)
- 6.)
- 7.)
- 8.)
- 9.)
- 10.)
- 11.)
- 12.)
- 13.)
- 14.)
- 15.)
- 16.)
- 17.)

Optional mounts

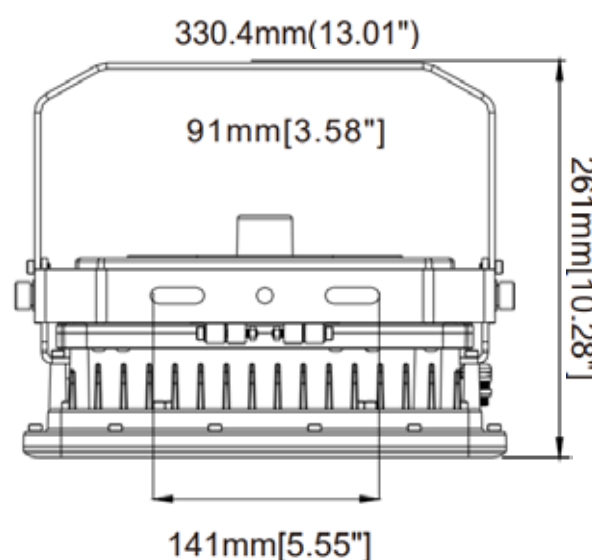
Accessories Part Number	Description
1.) GI-ACC-EPSMA	Surface Mounting Arm
2.) GI-ACC-EP25S	25° Pole Support
3.) GI-ACC-EP90WJB	90° Wall Support & Junction Box
4.) GI-ACC-EP25WS	25° Wall Support
5.) GI-ACC-EP90S	90° Pole Support
6.) GI-ACC-EPSF-AB	Slipfitter for up to 150W

Optional accessories

Accessories Part Number	Description
7.) GI-ACC-EPC	Pendant Chain
8.) GI-ACC-EPH	Hook Mount
9.) GI-ACC-EPSSP	Straight Swing Pipe
10.) GI-ACC-EPPB	Bended Pipe
11.) GI-ACC-EPJB	Junction Box
12.) GI-ACC-EPED15	15W Emergency driver + controller (for 100W-400W)
13.) GI-ACC-EPEDK15	15W Emergency back-up kit (for 60W & 80W)
14.) GI-ACC-EPED15C	Conduit for 15W Emergency back-up kit
15.) GI-ACC-EPAWG	Wire Guard
16.) GI-ACC-EPPS	Photocell Sensor

Included accessories

Accessories Part Number	Description
17.) GI-ACC-EPUB	U-bracket / Trunnion



Not all product variations listed on this page may be DLC qualified. Visit [www.designlights.org/search](http://www.designlights.org/search) to confirm qualification.